

High Throughput Diffusion Pumps

HS-16

HS-20

HS-32

NHS-35

INSTRUCTION MANUAL

High Throughput Diffusion Pumps



Santovac[®] 5 Diffusion Pump Fluid of SANTOVAC FLUIDS, INC.

Viton[®] is a registered trademark of E. I du Pont de Nemours and Company.

Contents

Diffusion Pump Hazards	1
Explosion	2
Pressurization Hazards	3
Dangerous Substances	3
High Temperatures	4
High Voltages	4
Large Equipment and Heavy Weights	4
Diffusion Pump Basics	5
Pump Operation	5
Operating Characteristics	5
Pump Air Speed and Throughput	8
Physical Specifications	9
Unpacking	13
Setup	13
Assembly	13
Cleaning a New Pump	14
Cleaning Safety	14
Disassembly for Initial Cleaning	14
Reassembly After Initial Cleaning	14
System and Utility Connections	15
Vacuum Connections	15
Cooling Water	15
Electrical Connections	17
Overheating: Detection by Thermal Switches	18
Initial Vacuum Test	31
Adding or Changing Pump Fluid	32
Operation	34
Startup Procedure	35
Shutdown Procedure	35
Maintenance	36
Periodic Inspections	36
Cleaning	37
Cleaning Safety	37
Disassembly and Reassembly Procedures	38
Cold Cap	38
Jet Assemblies	39
Heater Replacement Procedure	45
Troubleshooting	46
Leakage	46
Outgassing	46
Poor Pump or System Performance	47
Replacement Parts	48

List of Figures

Figure	Caption	Page
1	HS-20 Diffusion Pump	5
2	HS-16 Speed and Throughput Curves, 8.1 kW	8
3	HS-20 Speed and Throughput Curves	8
4	HS-32 Speed and Throughput Curves	8
5	NHS-35 Speed and Throughput Curves	8
6	HS-16 Outline with ASA Flanges	9
7	HS-20 Outline with ASA Flanges	10
8	HS-32 Outline with ASA Flanges	11
9	NHS-35 Outline with ASA Flanges.	12
10	Cooling Water Connections	15
11	HS-16 200/240/400/430/440/480 V Wiring	19
12	HS-16 415 V Wiring	20
13	HS-20 200/240/400/430/480 V Wiring . . .	21
14	HS-20 415 V Wiring	22
15	HS-32 200 V Wiring	23
16	HS-32 240 V Wiring	24
17	HS-32 460 V Wiring	25
18	HS-32 415 V Wiring	26
19	HS-32 480 V Wiring	27
20	NHS-35 240/400/440 V Wiring	28
21	NHS-35 415 V Wiring	29
22	NHS-35 480 V Wiring	30
23	Sight Glass Assembly	33
24	Cold Cap Assembly	38
25	HS-16 Jet Assembly	39
26	HS-20 Jet Assembly	40
27	Jet Coupling Detail.	41
28	HS-32 Jet Assembly	42
29	NHS-35 Jet Assembly.	44
30	Heater Element Assembly	45

List of Tables

Table	Title	Page
1	General Hazards	1
2	Explosive Conditions.	2
3	Pressurization Hazards	3
4	Operating Specifications	6
5	HS-16: Dimensions and Weights.	9
6	HS-16 Flange Dimensions.	9
7	HS-20: Dimensions and Weights.	10
8	HS-20 Flange Dimensions.	10
9	HS-32: Dimensions and Weights.	11
10	HS-32 Flange Dimensions.	11
11	NHS-35: Dimensions and Weights	12
12	NHS-35 Flange Dimensions	12
13	Wiring Diagram Locations	17
14	Thermal Cutout Temperatures.	18
15	Troubleshooting Guide	47
16	HS-16 Replacement Parts	48
17	HS-20 Replacement Parts	49
18	HS-32 Replacement Parts	50
19	NHS-35 Replacement Parts	51

Preface

Warranty

Products manufactured by Seller are warranted against defects in materials and workmanship for twelve (12) months from date of shipment thereof to Customer, and Seller's liability under valid warranty claims is limited, at the option of Seller, to repair, replacement, or refund an equitable portion of the purchase price of the Product. Items expendable in normal use are not covered by this warranty. All warranty replacement or repair of parts shall be limited to equipment malfunctions which, in the sole opinion of Seller, are due or traceable to defects in original materials or workmanship. All obligations of Seller under this warranty shall cease in the event of abuse, accident, alteration, misuse, or neglect of the equipment. In-warranty repaired or replaced parts are warranted only for the remaining unexpired portion of the original warranty period applicable to the repaired or replaced parts. After expiration of the applicable warranty period, Customer shall be charged at the then current prices for parts, labor, and transportation.

When products are used with toxic chemicals, or in an atmosphere that is dangerous to the health of humans, or is environmentally unsafe, it will be the responsibility of the Customer to have the product cleaned by an independent agency skilled and approved in handling and cleaning contaminated materials before the product will be accepted by Varian, Inc. for repair and/or replacement.

Reasonable care must be used to avoid hazards. Seller expressly disclaims responsibility for loss or damage caused by use of its Products other than in accordance with proper operating procedures.

Except as stated herein, Seller makes no warranty, express or implied (either in fact or by operation of law), statutory or otherwise; and, except as stated herein, Seller shall have no liability under any warranty, express or implied (either in fact or by operation of law), statutory or otherwise. Statements made by any person, including representatives of Seller, which are inconsistent or in conflict with the terms of this warranty shall not be binding upon Seller unless reduced to writing and approved by an officer of Seller.

Disclaimer

Operation and maintenance of this equipment involves serious risk. It is the responsibility of the user to maintain safe operating conditions at all times. Varian assumes no liability for personal injury or damage resulting from operation or service of the equipment.

Varian has no control over the use of this equipment and is not responsible for personal injury or damage resulting from its use. The safe use and disposal of hazardous or potentially hazardous materials of any kind is the sole responsibility of the user. Observe all WARNINGS and CAUTIONS to minimize the serious hazards involved.

It is the sole responsibility of the users of Varian equipment to comply with all local, state and federal safety requirements (laws and regulations) applicable to their system. Employ the services of an industrial hygienist and/or a qualified chemical safety engineer in order to ensure safe installation and use.

Warranty Replacement and Adjustment

All claims under warranty must be made promptly after occurrence of circumstances giving rise thereto, and must be received within the applicable warranty period by Seller or its authorized representative. Such claims should include the Product serial number, the date of shipment, and a full description of the circumstances giving rise to the claim. Before any Products are returned for repair and/or adjustment, written authorization from Seller or its authorized representative for the return and instructions as to how and where these Products should be returned must be obtained. Any Product returned to Seller for examination shall be prepaid via the means of transportation indicated as acceptable by Seller. Seller reserves the right to reject any warranty claim not promptly reported and any warranty claim on any item that has been altered or has been returned by non-acceptable means of transportation. When any Product is returned for examination and inspection, or for any other reason, Customer shall be responsible for all damage resulting from improper packing or handling, and for loss in transit, notwithstanding any defect or non-conformity in the Product. In all cases, Seller has the sole responsibility for determining the cause and nature of failure, and Seller's determination with regard thereto shall be final.

If it is found that Seller's Product has been returned without cause and is still serviceable, Customer will be notified and the Product returned at its expense; in addition, a charge for testing and examination may be made on Products so returned.

3/1/00

Instructions for Use

This equipment is designed for use by professionals. The user should read this instruction manual and any other additional information supplied by Vacuum Technologies before operating the equipment. Vacuum Technologies will not be held responsible for any events that occur due to non-compliance with these instructions, improper use by untrained persons, non-authorized interference with the equipment, or any action contrary to that proved for by specific national standards.

This manual uses the following standard safety protocol:

WARNING



The warnings are for attracting the attention of the operator to a particular procedure or practice which, if not followed correctly, could lead to serious injury.

CAUTION



The cautions are displayed before procedures, which if not followed, could cause damage to the equipment.

NOTE



The notes contain important information taken from the text.

**Declaration of Conformity
Konformitätserklärung
Déclaration de Conformité
Declaración de Conformidad
Verklaring de Overeenstemming
Dichiarazione di Conformità**



We
Wir
Nous
Nosotros
Wij
Noi

Varian Vacuum Technologies
121 Hartwell Avenue
Lexington, MA, 02421-3133 USA

declare under our sole responsibility that the product,
erklären, in alleniniger Verantwortung, daß dieses Produkt,
déclarons sous notre seule responsabilité que le produit,
declaramos, bajo nuestra sola responsabilidad, que el producto,
verklaren onder onze verantwoordelijkheid, dat het product,
dichiariamo sotto nostra unica responsabilità, che il prodotto,

High Throughput Diffusion Pumps

to which this declaration relates is in conformity with the following standard(s) or other normative documents.
auf das sich diese Erklärung bezieht, mit der/den flogenden Norm(en) oder Richtlinie(n) übereinstimmt.
auquel se réfère cette déclaration est conforme à la (auz) norme(s) ou au(x) document(s) normatif(s).
al que se refiere esta declaración es conforme a la(s) norma(s) u otro(s) documento(s) normativo(s).
waamaar deze verklaring verwijst, aan de volende norm(en) of richtlijn(en) beantwoordt.
a cui se riferisce questa dichiarazione è conforme alla/e sequente/I norma/o documento/I normativo/i.

VMF-11	M-2	VHS-6	HS-16
AX-65	M-4	VHS-250	HS-20
AX-150	VHS-4	VHS-10	HS-32
HS-2	M-6	VHS-400	NHS-35

Low Voltage Directive

73/023/EEC

EN 61010-1 "Safety requirements for electrical equipment for measurement, control and laboratory use", incorporating amendments, numbers 1 and 2.

Frederick C. Campbell
Operations Manager
Varian Vacuum Technologies
Lexington, Massachusetts, USA

March 2003



This page intentionally left blank.

Diffusion Pump Hazards

Designers of systems utilizing diffusion pumps must design out hazards wherever possible. For hazards that cannot be designed out, warnings, procedures, and instructions on proper use and servicing are provided. Please use guards, safety features, and interlocks as recommended.

Refer to Table 1 for a list of general hazards and recommended actions, Table 2 on page 2 for a list of prohibited actions that can result in explosions, and Table 3 on page 3 for a list of pressurization hazards that can result in damage to equipment.

THE INSTALLATION, OPERATION, AND SERVICING OF DIFFUSION PUMPS INVOLVES ONE OR MORE OF THE FOLLOWING HAZARDS, ANY ONE OF WHICH IN THE ABSENCE OF SAFE OPERATING PRACTICES AND PRECAUTIONS, COULD POTENTIALLY RESULT IN DEATH OR SERIOUS HARM TO PERSONNEL.

Table 1 General Hazards

Hazard	Suggested Corrective Action
Loss of utility: water and/or electricity	Provide sufficient backup water and power supply as necessary to effect a safe shutdown under worst case conditions
Overpressure in foreline	Provide an interlock to ensure that the power supply to the pump heater cannot be activated if the foreline pump is not running and/or the pressure in foreline is above 0.5 Torr (0.67 mbar)
Overtemperature	Fit temperature sensors and pump fluid level sensors with feedback to an interlock on the heater power supply
Insufficient water flow through the main cooling coils	Use water flow sensor and feedback to interlock the heater power supply
Water trapped between inlet and outlet of Quick Cool coil, or liquid nitrogen trapped between inlet and outlet of liquid nitrogen trap	Provide vent or pressure relief valves for both Quick Cool coil and liquid nitrogen trap
Loss of electrical ground integrity	Incorporate ground fault interrupt circuit into heater power supply
Positive pressure in pumping system	Integrate pressure relief valve in vacuum system to ensure system pressure does not exceed 1 atmosphere
High voltage	Prevent personnel contact with high voltages; design and attach warnings
Toxicity and Corrosivity	Vent toxic and/or corrosive gases to a safe location; ensure adequate dilution or scrubbing to safe levels; take all action required to meet air quality standards
Explosion	Integrate pressure relief valves
	Do not use hydrocarbon-based pumping fluids

High Throughput Diffusion Pumps

Explosion

- ❑ Operation of the diffusion pump without continuous evacuation below 0.5 Torr (0.67 mbar), or without coolant and introducing a strong oxidizer (such as air) or explosive vapors or powders or materials which may react with pumping fluids in a hot pump (above 300 °F or 150 °C) can cause an explosion. Such an explosion can violently expel valves and other hardware, slam open doors that are not designed for appropriate pressure relief, or burst other components of the vacuum system. Serious injury or death may result from expelled parts, doors, shrapnel, and shock waves.
- ❑ *Three elements are required for explosion:* fuel, oxidizer, and an ignition. A combination of temperature and pressure can be a source of ignition. Most diffusion pump fluids are fuels. Hydrocarbon fluids are more prone to oxidize and explode than synthetic silicone-based fluid. The oxidizer can be air, which can be introduced by a leak, deliberately brought in via a process, or inadvertently admitted by operator error. Oxygen and other strong oxidizers are even more dangerous than air. Certain conditions of temperature and pressure can cause a combustible mixture to explode. The larger the diffusion pump, the greater the risk of explosion and the greater the risk of damage and injury. Never operate large diffusion pumps utilizing hydrocarbon oils without a complete safety analysis for the entire system and for the application.
- ❑ *Explosion and Fire from Acetone and Alcohol:* Diffusion pumps are typically cleaned with acetone and alcohol. When combined with air, oxygen, and other oxides, alcohol and most other solvents are very flammable and explosive. Never permit any trace of these cleaners to remain in or on the pump. Always remove all traces of alcohol and acetone and other cleaners with clean, dry, oil-free compressed air.

Never operate a large diffusion pump under the conditions listed in Table 2. Any of these situations increases the probability of an explosion.

Table 2 Explosive Conditions

Prohibited Action	Explosion-Causing Condition
Do not run pump without cooling water	Overtemperature
Do not run pump with low level of pump fluid	Overtemperature
Do not run pump without proper backing or holding pump	Overpressure
Do not run pump when not evacuated below 0.5 Torr (0.67 mbar)	Overpressure
Do not admit air to, or rough through, a pump with hot boiler	Overpressure plus strong oxidizer
Do not open drain or fill plug while pump is under vacuum, especially when it is hot	Overpressure plus strong oxidizer
Do not contaminate pump with explosive vapors	Lower explosive threshold of gas mixtures
Do not remove, defeat, or override safety counter-measures such as pressure and thermal switches and valve sequencer interlocks	Overtemperature, overpressure, more combustible mixtures
Do not machine or weld any part of the pump without removing all fluid or solvent residue in pump	Source of ignition
Do not use unsuitable pumping fluid	Lower explosive threshold of gas mixture

Pressurization Hazards

- ❑ Large vacuum pumps and their components are designed for vacuum service; they are not designed to be pressurized which could cause them to burst possibly expelling shrapnel at lethal velocities. Serious accidents have been caused by intentional pressurization of vacuum systems and their components.
- ❑ Never pressurize any part of a vacuum system for test or any other purpose.
- ❑ Always provide pressure relief when designing diffusion pumps into systems and ensure that pressure relief motion is limited to safe envelopes.
- ❑ Never permit the hazards in Table 3 to develop.

Table 3 Pressurization Hazards

Prohibited Action	Result
Do not block inlet or vent of liquid nitrogen trap and lines	LN ₂ trap and/or lines burst
Do not close isolation valves at inlet and discharge of main water cooling coils when pump is heated	Water turns to steam and bursts coils
Do not pressurize the pump body (above 1 atm.)	Body of pump bursts
Do not make a hole through the vacuum wall	Loss of structural integrity of wall

- ❑ *Pressure Relief Devices:* Systems must be designed with pressure relief devices to provide safe pressure relief from internal explosions. Always recognize that safety devices can fail or malfunction; provide redundant protection by installing devices having different failure modes, failure mechanisms, and failure causes. Be certain that exhaust duct materials are capable of withstanding the corrosivity, temperature, and pressure of exhausted products.

Dangerous Substances

- ❑ *Chemical Dangers of Acetone and Alcohol:* Diffusion pumps are typically cleaned with acetone or alcohol. Acetone, alcohol, and most other solvents are irritants, narcotics, and depressants, and/or carcinogenic. Their inhalation and ingestion may produce serious effects. Even absorption through the skin can result in moderate toxicity. Always ensure that cleaning operations are performed in large, well-ventilated rooms. Use of self-contained breathing apparatus may be necessary depending upon the solvent type and vapor concentration in surrounding air.
- ❑ *Poisonous and Corrosive Compounds:* When pumping poisonous, reactive, and/or corrosive gas, vapors, or chemicals, proper operation and regeneration do not always ensure that all hazardous materials have been totally removed. If hazardous gas, vapors, chemicals, or combustible mixtures are pumped, sufficient quantities may exist during operation or remain after regeneration to cause severe injury or death.
- ❑ *Pump Fluids:* Overheating the pump fluid, exposing it to air or reactive materials, or overpressurizing it above the normal operating range, approximately 1×10^{-3} Torr (1.3×10^{-3} mbar) decomposes the fluid and possibly makes it toxic. This is especially true of backstreamed mechanical pump fluids which are more volatile (unstable). Overheating of accidentally introduced or backstreamed mechanical pump fluids cannot be protected against by thermal switches which are set for diffusion pump fluid.
- ❑ *Process Gasses:* Process gasses are frequently toxic, flammable, corrosive, explosive, or otherwise reactive. Vacuum Technologies has no control over the types of gasses passing through the user's diffusion pump as these are entirely under the control of the process user and/or the hardware systems integrator. Since these gasses can cause serious injury or death, it is very important to plumb the exhaust of the pump to the facility's hazardous gas exhaust system which incorporates appropriate filters, scrubbers and similar components to ensure that the exhaust meets all air and water pollution control regulations.

High Throughput Diffusion Pumps

High Temperatures

- ❑ *Hot Surfaces:* Boiler temperatures reach 530 °F (275 °C) which can cause serious burns. Always ensure that surfaces have cooled to near room temperature before touching them.
- ❑ *Hot Cooling Water and Steam:* The water used to cool the pump can reach scalding temperatures. Touching or rupture of the cooling surface can cause serious burns. Water left inside Quick Cool coils from previous use turns to steam when the pump is reheated. This steam must be allowed to escape without contacting personnel. Whenever possible, design the water system with interlock valves so that power cannot be applied to the pump unless water is flowing in the main cooling coils (not Quick Cool coils).

High Voltages

- ❑ Diffusion pump heaters operate at voltages high enough to kill. Design systems to prevent personnel contact with high voltages. Securely attach prominent hazard warnings. Personnel should always break the primary circuit to the power supply when direct access to the heater or wiring is required.

Large Equipment and Heavy Weights

- ❑ The lifting and moving of large diffusion pumps requires power-assisted equipment and the use of trained moving and installation personnel to avoid dropping, slipping, and overturning the pump. Pumps weigh in excess of 500 lbs (226.8 kg) and are 3 to 6 feet in their largest dimension (1 to 2 meters). Their mishandling can cause severe injury. Check the weight of the equipment before lifting and assure that the power-assist device is adequate for the task. Do not stand under the equipment being lifted and moved.

Diffusion Pump Basics

Diffusion pumps are used where throughput for heavy gas loads is important. The diffusion pumps begin to work at approximately 10^{-3} Torr after a mechanical backing pump has exhausted most of the air in the system.



Figure 1 HS-20 Diffusion Pump

There are no moving parts in a diffusion pump, the heart of which is the multistage jet assembly, a group of concentric cylinders that are capped to leave small openings through which vapor can be deflected down and out toward the pump walls. A cold cap, mounted on top of the jet assembly helps keep pump fluid vapor out of the evacuation chamber. The pumps are water-cooled.

The vacuum fluid heater is mounted at the bottom of the pump body. The pumps also have a fill and drain assembly, and thermal protection switches. The inlet is at the top, and the exhaust is through the foreline.

Pump Operation

The diffusion pump works by heating the pump fluid to its boiling point. The vapors travel upward inside the jet assembly and are accelerated out and downward through the jet nozzles toward the cool outer walls of the pump, where the vapor condenses back into a fluid. As the vapor passes the inlet, it picks up elements of the gas to be exhausted and carries them to the ejector and out of the pump via the foreline. The pump's ability to reach low pressures is governed in part by the inlet size. The gas migrates by thermal motion and is captured and expelled, thus lowering the pressure in the evacuation vessel.

Large diffusion pumps achieve a vacuum using a five-stage jet assembly consisting of four diffusion stages and one ejector stage. The cold cap and body are water cooled. Optional stainless steel Quick Cool coils quickly suppress boiling by cooling the heater; they require an independently valved water supply.

Operating Characteristics

The Operating Characteristics of the large diffusion pumps are given in Table 4 on page 6. The graphs in Figure 2 through Figure 5 on page 8 show air speed and throughput as a function of inlet pressure. The dimensions of the inlet flange that connects to the system to be evacuated are given in Table 6 on page 9 through Table 12 on page 12

NOTE



The data in Table 4 on page 6 refers to pumps charged with DC-704 diffusion pump fluid.

Table 4 Operating Specifications


Specification	Units	HS-16, 8.1 kW	HS-16, 9.6 kW	HS-20	HS-32	NHS-35
Operating Range	Torr	7×10^{-4} to $< 5 \times 10^{-8}$	1×10^{-3} to $< 5 \times 10^{-8}$	8×10^{-4} to $< 5 \times 10^{-8}$	8×10^{-4} to $< 5 \times 10^{-8}$	5×10^{-4} to $< 5 \times 10^{-8}$
	mbar	9.1×10^{-4} to $< 7 \times 10^{-8}$	1.3×10^{-3} to $< 7 \times 10^{-8}$	1×10^{-3} to $< 6.7 \times 10^{-8}$	1.0×10^{-3} to $< 7 \times 10^{-8}$	6.5×10^{-4} to $< 7 \times 10^{-8}$
Pumping Speed, Maximum	l/s, Air	10,000		17,500	32,000	50,000
	l/s, Helium	12,500		22,000	40,000	62,500
Throughput (Air), Max. Optimum Range	Torr-l/s		10.0	14	23	25
	mbar-l/s	8.5	13.3	19	31	33
Overload Range (@ 1×10^{-2} Torr)	Torr-l/s	12.5	13.5	18	35	35
	mbar-l/s	16.6	18.0	23	45	45
CAUTION  Extended operation of pumps in the <i>Overload</i> condition may result in breakdown of the top jet and resultant fluid loss through the foreline.						
Forepressure, Max. No Load	Torr	0.65		0.65	0.50	0.55
	mbar	0.86		0.86	0.66	0.73
Full Load	Torr	0.55		0.55	0.35	0.40
	mbar	0.73		0.73	0.46	0.53
Backstreaming Rate at Pump Inlet (within Optimum Operating Range)	mg/cm ² /min	<0.0015		<0.0015	<0.0007	<0.0005
	kW	8.1	9.6	12	24	24
Cooling Water Flowrate @ Inlet Temperature of 60 to 80 °F	gpm (US)	1.5		1.5	4.0	4.0

Table 4 Operating Specifications (Continued)

Specification	Units	HS-16, 8.1 kW	HS-16, 9.6 kW	HS-20	HS-32	NHS-35
Warmup Time	minutes	30		45	60	60
Cooldown Time Without Quick Cool With Quick Cool	minutes	48		85	180	180
		30		45	60	60
Fluid Charge	qt (US) liters	3		5	12	12
		2.8		4.7	11.4	11.4
Recommended backing pump capacity*	cfm	80		100	300	300
		*Recommended sizes when operating at maximum throughput.				
Weight	lbs (kg)	500 (227)		600 (272)	1500 (682)	1500 (682)

Pump Air Speed and Throughput

The pumping function is graphically described by relating *inlet pressure* to both *air speed* and *throughput*. This relationship is shown for the large vacuum pumps in the set of graphs shown in Figure 2 through Figure 5.

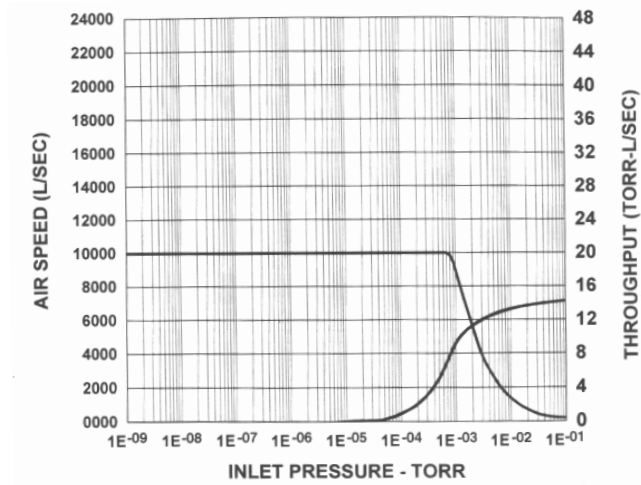


Figure 2 HS-16 Speed and Throughput Curves, 8.1 kW

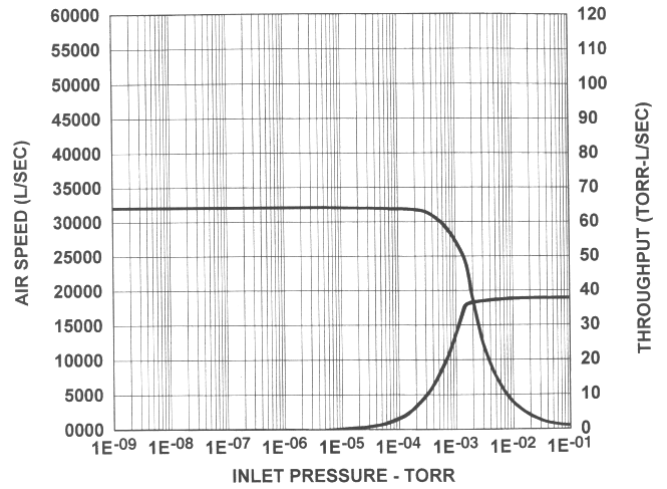


Figure 4 HS-32 Speed and Throughput Curves

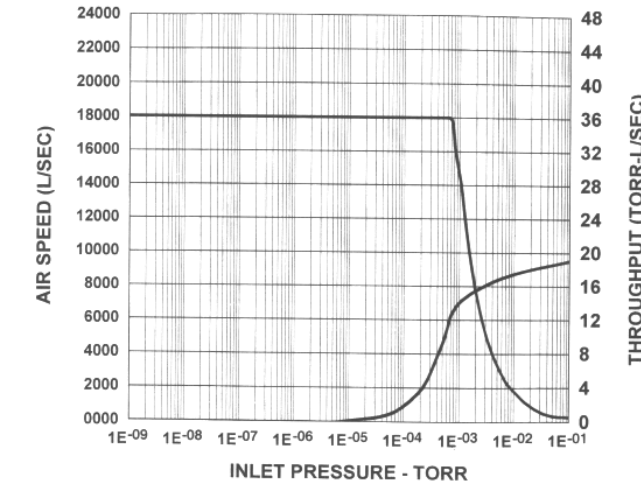


Figure 3 HS-20 Speed and Throughput Curves

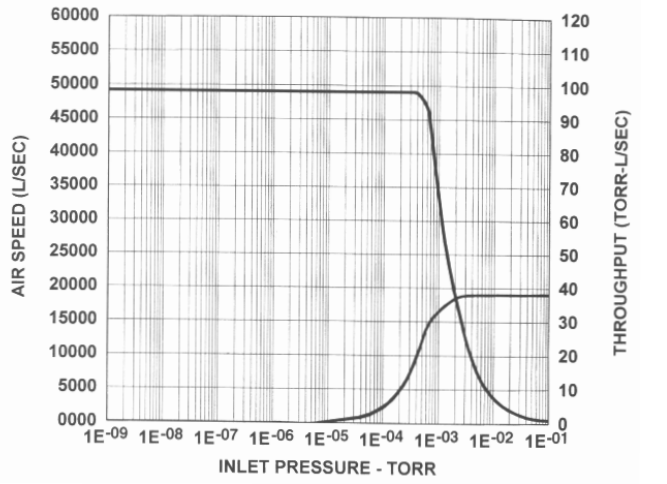


Figure 5 NHS-35 Speed and Throughput Curves

High Throughput Diffusion Pumps

Physical Specifications

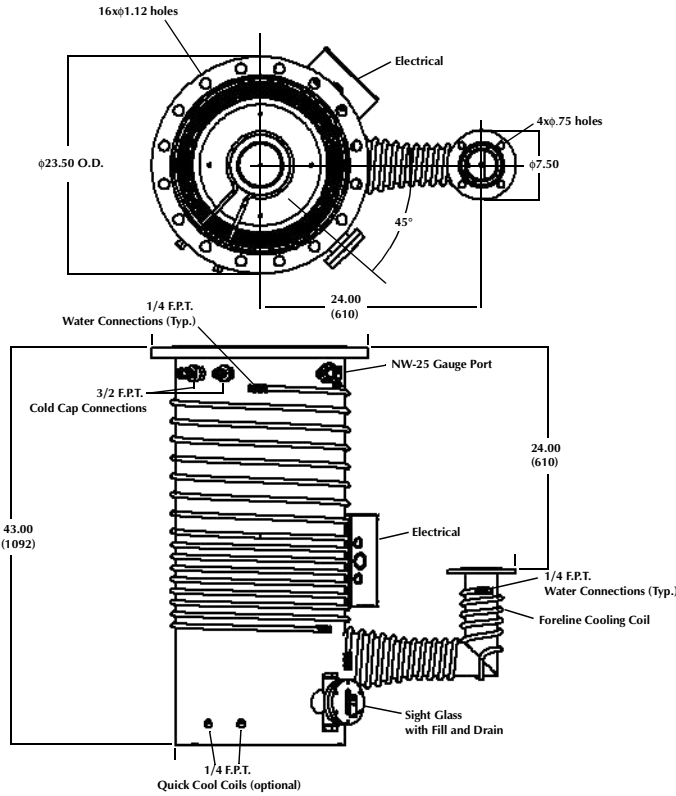


Figure 6 HS-16 Outline with ASA Flanges

Table 5: HS-16: Dimensions and Weights

	Units	HS-16
Height, minimum including clearance for heater access	in (mm)	51 (1295.4)
Weight	lbs (kg)	500 (227)
Connections: Body and Foreline Quick Cool coils	in	1/4 FPT 1/4 FPT

Table 6 HS-16 Flange Dimensions

		ASA		ISO	
		Inlet	Foreline	Inlet, 500 K	Foreline, 100 K
OD	in (mm)	23.50 (596.9)	7.50 (190.5)	21.65 (549.9)	5.12 (130.1)
ID	in (mm)	18.00 (457.2)	3.58 (90.9)	18.00 (457.2)	3.58 (90.9)
Thickness	in (mm)	1.00 (25.4)	0.50 (12.7)	0.67 (17.0)	0.47 (11.9)
Bolt Circle	in (mm)	21.25 (539.8)	6.00 (152.4)		
No. of Holes		16	4		
Size of Holes	in (mm)	1.13 (28.7)	0.75 (19.1)		
Orientation	Holes straddle center line of foreline				
Gasket Groove	ID	in (mm)	18.69 (474.7)	4.31 (109.5)	Requires NW-500 Centering Ring (not included with pump)
	Width	in (mm)	0.37 (9.4)	0.30 (7.6)	
	Depth	in (mm)	0.18 (4.6)	0.14 (3.6)	

High Throughput Diffusion Pumps

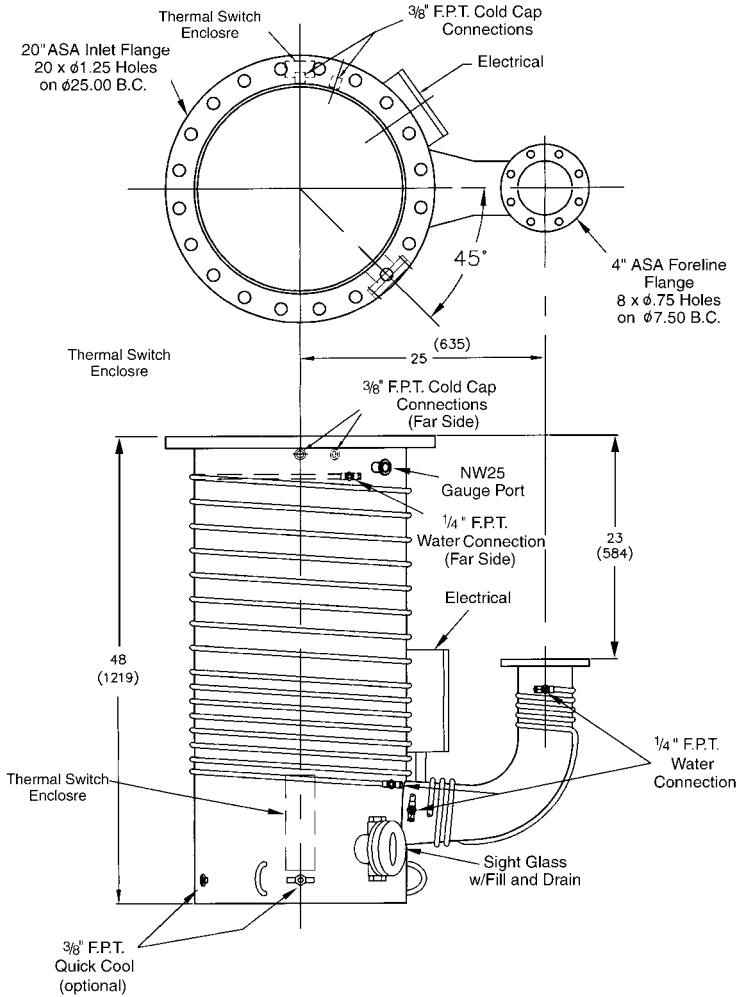


Table 7 HS-20: Dimensions and Weights

	Units	HS-20
Height, minimum including clearance for heater access	in (mm)	56 (1422)
Weight	lbs (kg)	600 (272.2)
Connections: Body and Foreline	in	1/4 FPT
Quick Cool coils	in	3/8 FPT

Figure 7 HS-20 Outline with ASA Flanges

Table 8 HS-20 Flange Dimensions

		ASA		ISO	
	Units	Inlet	Foreline	Inlet, 630 K	Foreline, 160 K
OD	in (mm)	27.50 (698.5)	9.00 (228.6)	27.17 (690.1)	7.09 (180.1)
ID	in (mm)	21.25 (539.8)	5.06 (128.5)	21.25 (539.8)	5.06 (128.5)
Thickness	in (mm)	1.12 (28.5)	0.75 (19.1)	0.78 (19.8)	0.47 (11.9)
Bolt Circle	in (mm)	25.00 (635.0)	7.50 (190.5)		
No. of Holes		20	8		
Size of Holes	in (mm)	1.25 (31.8)	0.75 (19.1)		
Orientation	Holes straddle center line of foreline				
Gasket Groove	ID	in (mm)	21.63 (549.4)	5.31 (134.9)	Requires NW-630 Centering Ring (not included with pump)
	Width	in (mm)	0.48 (12.2)	0.38 (9.7)	
	Depth	in (mm)	0.25 (6.6)	0.09 (2.3)	
					Requires NW-160 Centering Ring (not included with pump)

High Throughput Diffusion Pumps

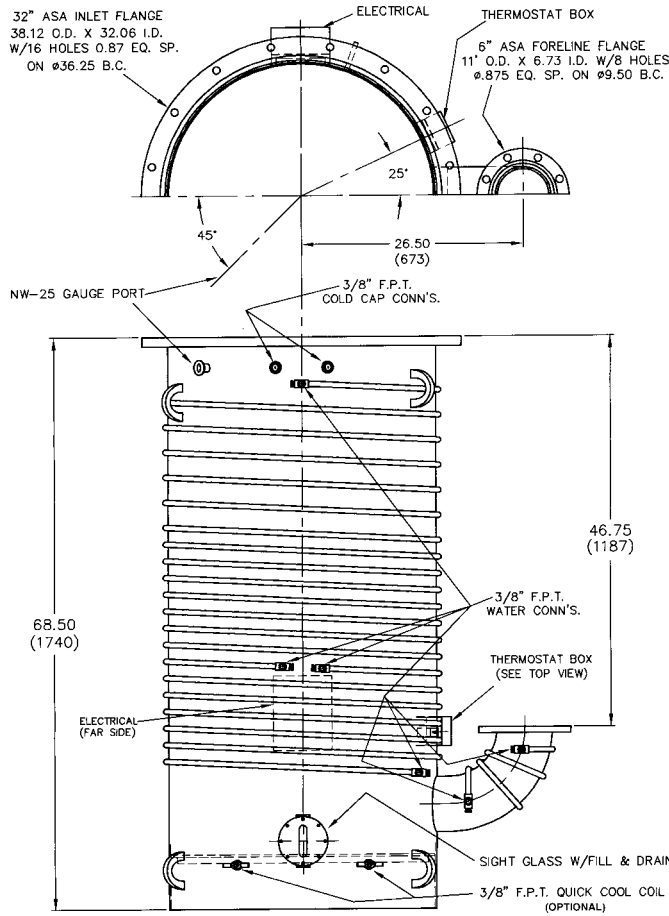


Table 9 HS-32: Dimensions and Weights

	Units	HS-32
Height, minimum including clearance for heater access	in (mm)	74 (1879.6)
Weight	lbs (kg)	1500 (680.4)
Connections:		
Body and Foreline	in	3/8 FPT
Quick Cool coils	in	3/8 FPT

Figure 8 HS-32 Outline with ASA Flanges

Table 10 HS-32 Flange Dimensions

		ASA		ISO		
Units		Inlet	Foreline	Inlet, 800 F	Forline, 200 K	
OD	in (mm)	38.12 (968.3)	11.00 (279.4)	36.22 (920.0)	9.45 (240.0)	
ID	in (mm)	32.06 (814.3)	6.73 (170.9)	32.06 (814.3)	6.73 (170.9)	
Thickness	in (mm)	1.12 (28.5)	0.75 (19.1)	1.12 (28.5)	0.47 (11.9)	
Bolt Circle	in (mm)	36.25 (920.8)	9.50 (241.3)	35.04 (890.0)		
No. of Holes		16	8	24		
Size of Holes	in (mm)	0.87 (22.1)	0.88 (22.4)	0.55 (14.0)		
Orientation	Holes straddle center line of foreline					
Gasket Groove	ID	in (mm)	32.5 (825.5)	7.44 (189.0)	32.75 (831.9)	Requires NW-200 Centering Ring (not included with pump)
	Width	in (mm)	0.56 (14.2)	0.38 (9.7)	0.56 (14.2)	
	Depth	in (mm)	0.25 (6.4)	0.18 (4.6)	0.25 (6.35)	

High Throughput Diffusion Pumps

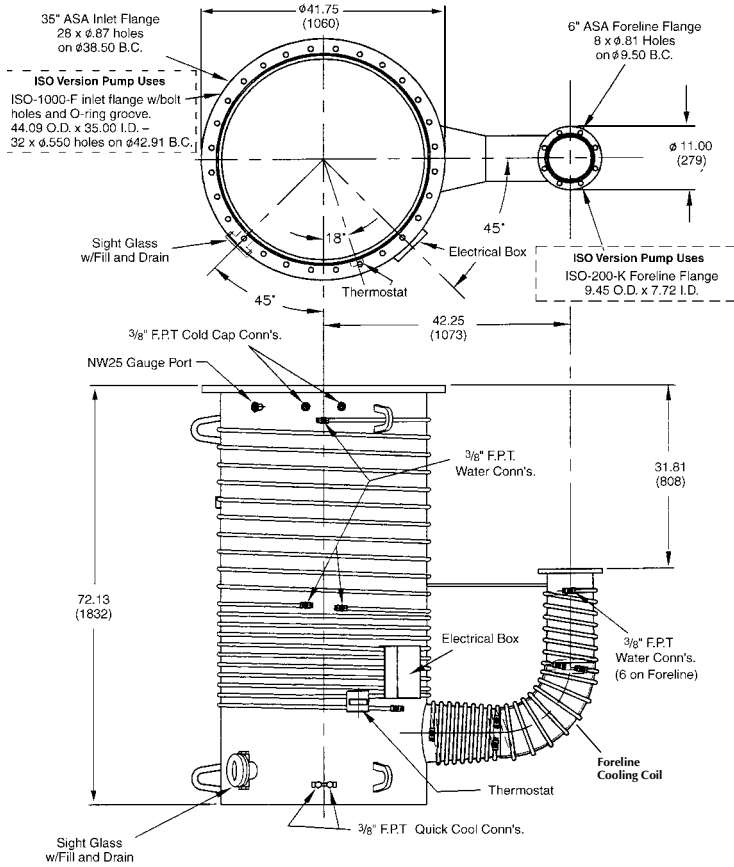


Table 11 NHS-35: Dimensions and Weights

	Units	NHS-35
Height, minimum including clearance for heater access	in (mm)	80 (2032)
Weight	lbs (kg)	1500 (680.4)
Connections:		
Body and Foreline	in	3/8 FPT
Quick Cool coils	in	3/8 FPT

Figure 9 NHS-35 Outline with ASA Flanges

Table 12 NHS-35 Flange Dimensions

	Units	ASA		ISO		
		Inlet	Foreline	Inlet, 1000 F	Foreline, 200 K	
OD	in (mm)	41.75 (1060.5)	11.00 (279.4)	44.09 (1119.9)	9.45 (240.0)	
ID	in (mm)	35.00 (889.0)	7.72 (196.1)	35.00 (889.0)	7.72 (196.1)	
Thickness	in (mm)	1.12 (28.5)	0.75 (19.1)	1.12 (28.5)	0.47 (12.0)	
Bolt Circle	in (mm)	38.50 (977.9)	9.50 (241.3)	42.90 (1089.7)		
No. of Holes		28	8	32		
Size of Holes	in (mm)	0.87 (22.1)	0.81 (20.6)	0.55 (14.0)		
Orientation		Holes straddles center line of foreline				
Gasket Groove	ID	in (mm)	35.37 (898.4)	8.20 (208.3)	40.75 (1035.1)	Requires NW-200 Centering Ring (not included with pump)
	Width	in (mm)	0.56 (14.2)	0.17 (4.3)	0.56 (14.2)	
	Depth	in (mm)	0.25 (6.4)	0.09 (2.3)	0.25 (6.4)	

Unpacking

WARNINGS



- ❑ *Before lifting a pump, check the weight of the equipment in Table 4 on page 6.*
- ❑ *Use power-assisted equipment, and trained moving and installation personnel to avoid dropping, slipping, and overturning the pump and severely injuring personnel.*
- ❑ *Do not stand under equipment being moved.*

Vacuum Technologies large diffusion pumps are shipped in sturdy containers that permit prolonged storage in suitably protected areas without special precautions, however, care must be taken when moving the crated pump with a fork lift to avoid excessive shock.

Carefully remove the outer shipping container. Visually inspect the pump for damage that may have occurred during shipping and notify the carrier immediately if damage is suspected. If damage is noticed, save the crate and the internal packing for inspection.

Setup

Assembly

1. Remove flange covers, blank plugs and protective plugs from water connections. Do not to scratch or otherwise damage the sealing surface (the O-ring groove on top of the inlet flange).
2. Check the internal jet assembly. It should be concentric and firmly seated on the bottom of the pump. Use a flashlight to verify that the ejector nozzle is opposite the foreline (the pump outlet connection). The jet assembly should not rotate; it is held by an indexing pin at the bottom of the assembly.
3. If the expected vacuum level is below 10^{-7} Torr, clean the pump using the procedure outlined in the next section. Otherwise make sure that there are no foreign materials inside the pump, and proceed with attaching the pump to the system as instructed in “System and Utility Connections” on page 15.

Cleaning a New Pump

NOTE



A new pump requires cleaning only if the desired vacuum is below 1×10^{-7} Torr.

Cleaning Safety

Cleaning a diffusion pump involves the use of acetone and alcohol, both of which are toxic and explosive. Take careful note of the following information and warnings before starting a cleaning process.

When heated, sprayed or exposed to high temperature equipment, these solvents become flammable and explosive, causing serious injury or death.

When heated or sprayed, acetone or alcohol also becomes 4 to 5 times heavier than air and flows down, settling in tanks, pits, and low areas, displacing air, and thus, can kill by asphyxiation.

Acetone, alcohol, and other solvents are irritants, narcotics, depressants, and carcinogenic. Their inhalation and ingestion may produce serious effects. Prolonged or continued contact with the skin will result in absorption through the skin and moderate toxicity.

WARNINGS



- Do not use near a high temperature source.
- Always use in a large, well-ventilated room and ventilate the working area with a blower.
- Wear eyeshields, gloves, and other protective clothing. The use of a self-contained breathing apparatus may also be necessary.

Disassembly for Initial Cleaning

This procedure involves the cleaning of the following elements:

- Jet assembly
- Drain plugs
- Sight glass
- Pump interior

To disassemble the pump:

1. Remove the cold cap as described in “Cold Cap” on page 38.
2. Disassemble the internal jet system from the body of the pump in accordance with the appropriate procedure within “Jet Assemblies” on page 39.
3. Remove fill and drain plugs and the sight glass with its O-ring and graphite gasket.

Set the O-ring aside as it must not be cleaned with a strong solvent. Alcohol, acetone, and other solvents degrade O-ring materials reducing their ability to hold a vacuum. If it is necessary to clean any O-rings, wipe with lint-free, clean cloth, wash in detergent and water, or use a small amount of pump fluid.

CAUTION

Do not use any solvents on O-rings.



4. Thoroughly clean all components of the jet assembly and pump casing interior (but not O-rings) with acetone followed by an alcohol rinse.
5. Remove all traces of cleaning fluid by carefully drying all components with clean, dry, oil-free compressed air.

Reassembly After Initial Cleaning

To reassemble the pump:

1. Perform disassembly steps 1 to 3 in reverse order, then continue with the following steps on a cleaned, reassembled pump.
2. Clean the interface and inlet flanges and O-ring grooves thoroughly with acetone or alcohol, using clean, lint free rags.
3. Remove all traces of acetone and alcohol by carefully drying all components, particularly the O-ring grooves, with clean, dry, oil-free compressed air.
4. Re-install the O-ring gasket.

System and Utility Connections

WARNING



Utility failure can cause overheating, damage to the equipment and explosion. Design your system to protect personnel and property from these hazards.

Vacuum Connections

The pump body must be installed vertical and plumb. Check that the mating flange on the system is horizontal $\pm 1^\circ$. If this condition is not met, correct the system mount before installing the pump.

To make the vacuum system connection:

1. Wipe the O-ring seals with a clean cloth lightly moistened with diffusion pump fluid. Do not use solvents.
2. Install the O-ring in its groove. Be careful not to damage the sealing surface with cuts, nicks, or scratches.
3. Raise the pump using a lifting apparatus with sufficient capacity. Pump weights are given in Table 4 on page 6.
4. Align the bolt holes of the flanges and assemble the bolts.
5. Tighten the bolts evenly and compress the O-ring seal until light contact is achieved between the metal flanges.
6. Make a tightness check of the fill and drain plugs and the sight glass assembly. Refer to the appropriate outline drawings, Figure 6 on page 9 through Figure 9 on page 12. Apply light to medium torque, just enough to visually compress the gaskets.

NOTE



Over time, minute leaks may develop through the gaskets. These leaks may only be detectable with extremely sensitive mass spectrometer leak detectors.

Cooling Water

To connect cooling water:

1. Connect the cold cap cooling coil and all body and foreline cooling in series *except the Quick Cool coil* (see the following paragraph) as shown in Figure 10. Refer to Table 4 on page 6 for the cooling water flowrate for your pump type. Higher flows will not harm the pump.
2. Connect the cooling water discharge to an open drain. This permits the water temperature flow to be easily checked. The temperature of discharged cooling water should not exceed 130 °F.

Parallel connections should be employed when the water pressure is low or if the discharge temperature routinely exceeds 130 °F.

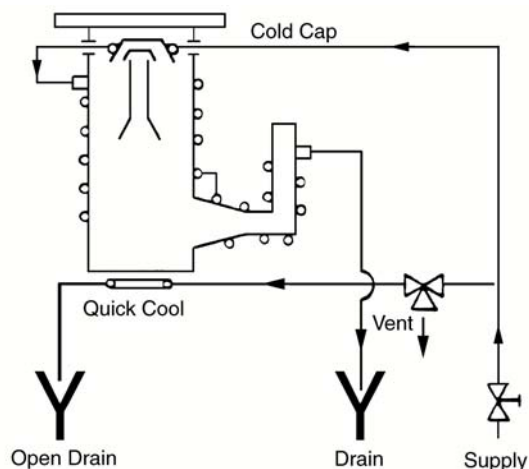


Figure 10 Cooling Water Connections

High Throughput Diffusion Pumps

Quick Cool Coil Connection

The Quick Cool coil at the boiler plate must be connected to an open drain and the feed line must be controlled by a separate water 3-way valve: open, closed, and vented to the atmosphere. The drain must be below the boiler level so that it is drained completely when the Quick Cool coil water supply is shut off and the pump is operating.

Obtaining High Vacuum on the NHS-35

When operating at low pressures (below 1×10^{-6} Torr), the ultimate pressure can be lowered by bypassing the portion of the cooling coils located at the bend of the foreline as shown in Figure 9 on page 12. This procedure raises the temperature of the foreline and provides additional degassing of the fluid returning to the boiler, thus making lower pressures possible.

NOTE



This configuration decreases the maximum throughput capacity of the pump. Use this cooling configuration only if the pump is not meant to operate near the high pressure end of its operating range.

Electrical Connections

Terminal connections for each pump are different depending on the source voltage available, the principle difference being a Y or Δ connection of the heaters. Table 13 provides the figure number and page of the wiring diagrams in this manual. The specific wiring diagrams for each pump shows both Y and Δ connections and the source voltages for each connection.

WARNING



Improper operation, severe heater damage, and danger to personnel can result from an improperly wired diffusion pump system.

WARNING



High voltages (up to 480 V) can kill. Always break the primary circuit to the pump before starting work on the heater or its wiring.

Table 13 Wiring Diagram Locations

Source Voltage	HS-16 Wiring	HS-20 Wiring	HS-32 Wiring	NHS-35 Wiring
200		Figure 13 on page 21	Figure 15 on page 23	
240	Figure 11 on page 19	Figure 13 on page 21	Figure 16 on page 24	Figure 20 on page 28
280	Figure 11 on page 19			
400		Figure 13 on page 21		Figure 20 on page 28
415	Figure 12 on page 20	Figure 14 on page 22	Figure 18 on page 26	Figure 21 on page 29
430		Figure 13 on page 21		
440				Figure 20 on page 28
460			Figure 17 on page 25	
480		Figure 13 on page 21	Figure 19 on page 27	Figure 22 on page 30

CAUTION



Do not operate the pump at more than 5% over its rated voltage.

To wire the pump:

1. Check the heater for correct supply voltage and find the appropriate wiring diagram. The correct voltage is shown.
2. Check load balance by measuring the resistance of each branch. The heater resistances are given on their respective wiring diagrams.
3. Make the connections to the terminals in the electrical main junction box at the foreline shown in the appropriate outline drawing. Use flexible conduit to make it easier to remove the pump for service.
4. Wire the thermal switches to a control mechanism to ensure that power to the pump is shut off if one of the switches opens. The thermal switch wires can be found in the electrical box.
5. Complete the wiring of the pump and double-check that the proper terminal arrangement has been used for the source voltage at the site.

Overheating: Detection by Thermal Switches

An overheat condition is detected by two normally closed thermal cutout switches, one of which monitors the boiler temperature while the other monitors the water temperature. These switches are set at the factory and *do not* require adjustment. The cutout temperatures for the water and boiler switches are given in Table 14.

Table 14 Thermal Cutout Temperatures

	Units	HS-16	HS-20	HS-32	NHS-35
Water Switch	°F	185	185	220	200
Boiler Switch	°F	390	390	550	600

Wire the pump such that if the contacts open on either the boiler or the water switch, power to the pump shuts off. If this happens during operation, check for one of the failure conditions listed below. When the problem has been corrected and the temperature lowered, the thermal switch automatically resets.

A rise in pump temperature can be caused by:

- Failure of cooling water flow
- High inlet pressure
- Low fluid level in the boiler

If you determine that the pump has not overheated and that the thermal switch has failed or drifted out of calibration, replace the switch with the device listed for your pump type in the appropriate Replacement Parts table, page 48 through page 51.

CAUTION



Thermal switches set to measure the temperature in the diffusion pump fluid are not designed to protect against overheating or backstreamed mechanical pump fluids.

High Throughput Diffusion Pumps

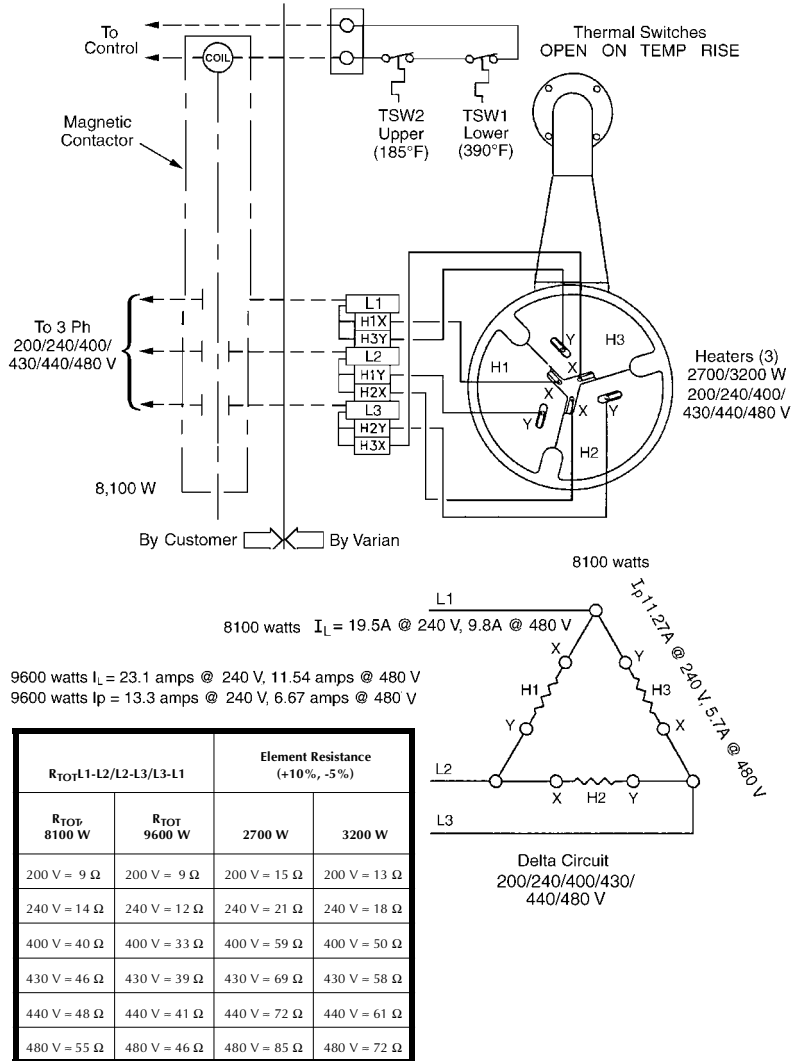


Figure 11 HS-16 200/240/400/430/440/480 V Wiring

High Throughput Diffusion Pumps

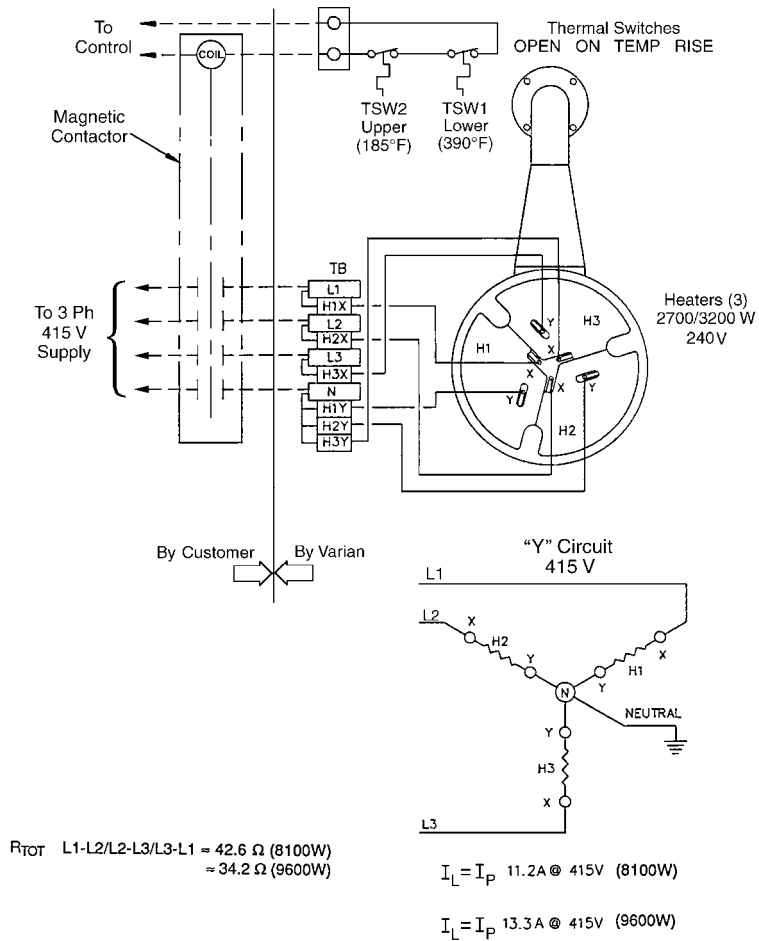
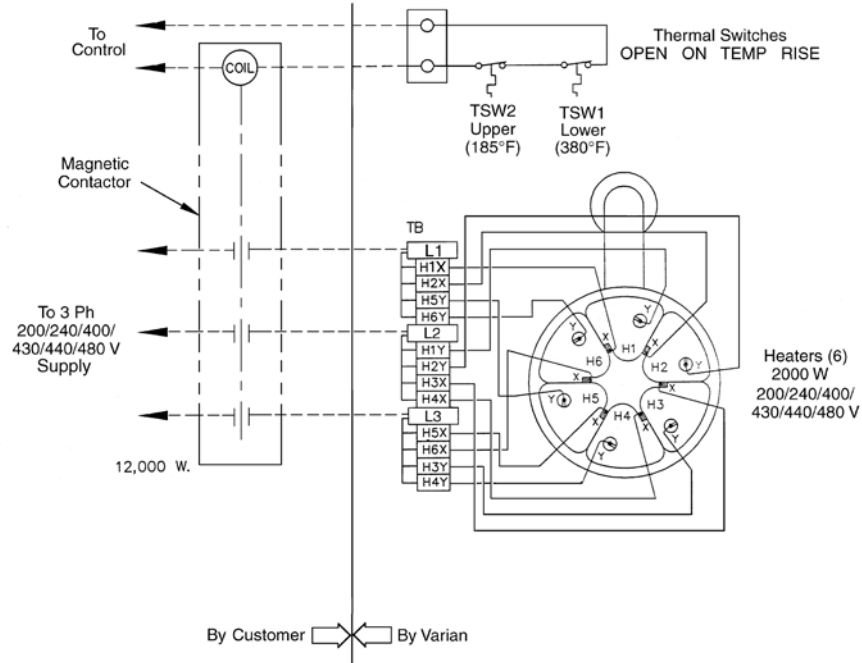


Figure 12 HS-16 415 V Wiring

High Throughput Diffusion Pumps



Element Resistance

(+10% -5%)

200 V	≅ 20 Ω
240 V	≅ 29 Ω
400 V	≅ 80 Ω
430 V	≅ 93 Ω
440 V	≅ 97 Ω
480 V	≅ 115 Ω

R_{TOT} L1-L2/L2-L3/L3-L1

200 V	≅ 7 Ω
240 V	≅ 10 Ω
400 V	≅ 26 Ω
430 V	≅ 31 Ω
440 V	≅ 32 Ω
480 V	≅ 38 Ω

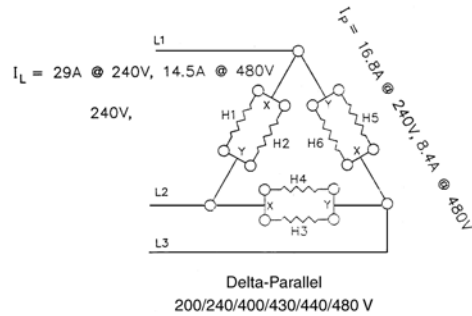


Figure 13 HS-20 200/240/400/430/480 V Wiring

High Throughput Diffusion Pumps

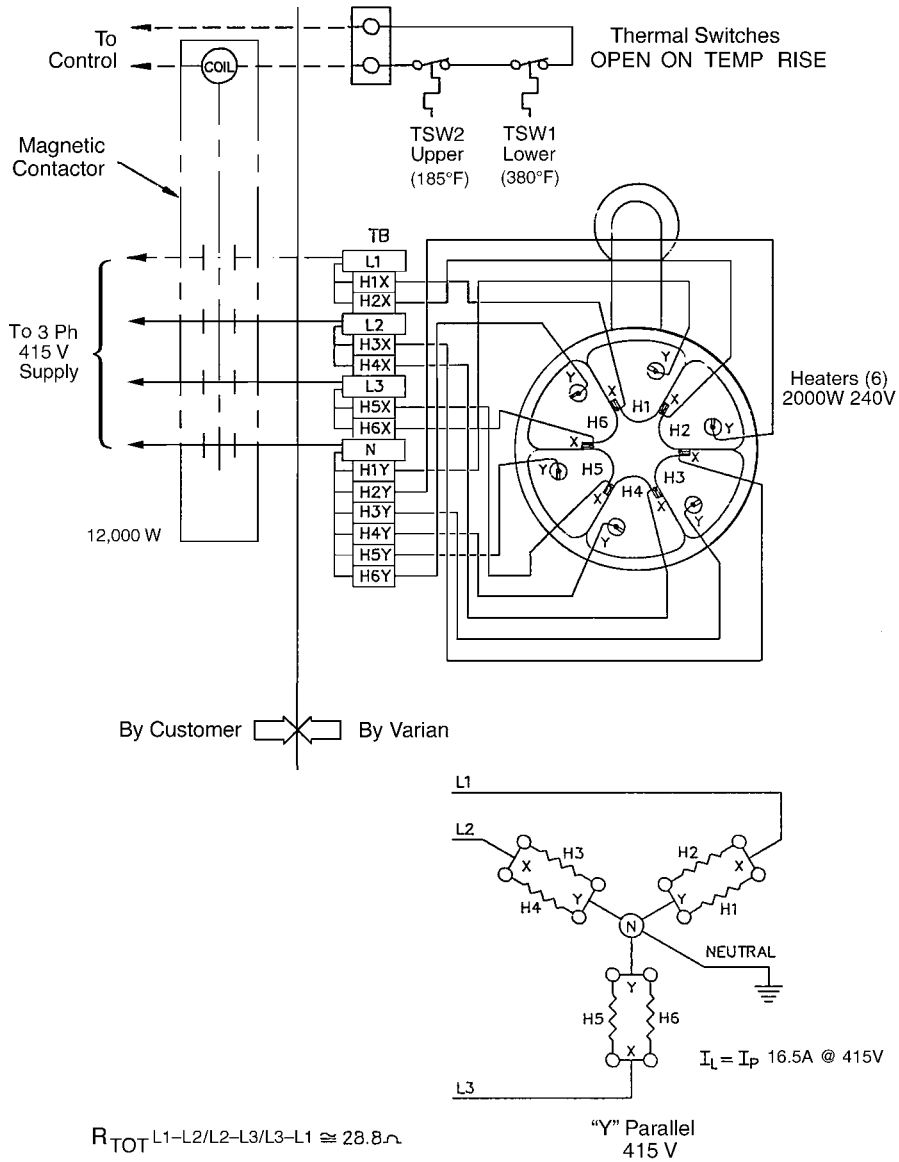


Figure 14 HS-20 415 V Wiring

High Throughput Diffusion Pumps

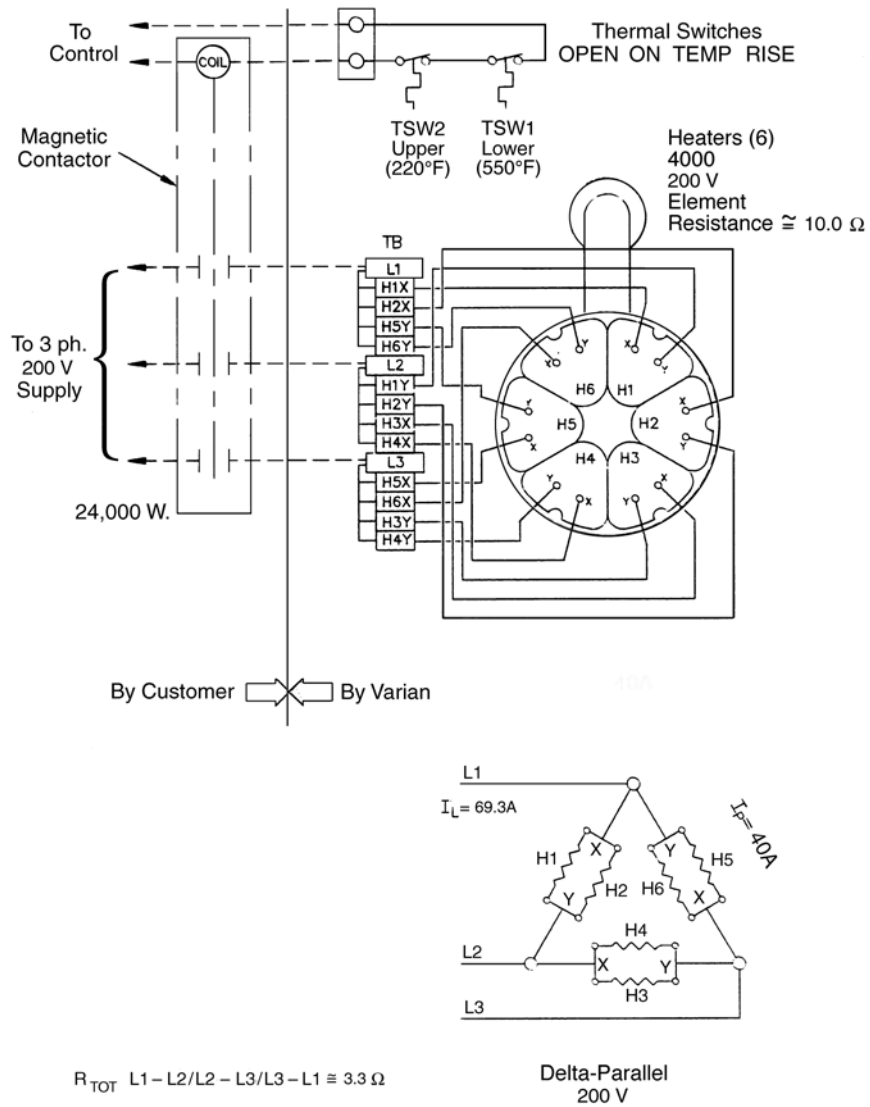


Figure 15 HS-32 200 V Wiring

High Throughput Diffusion Pumps

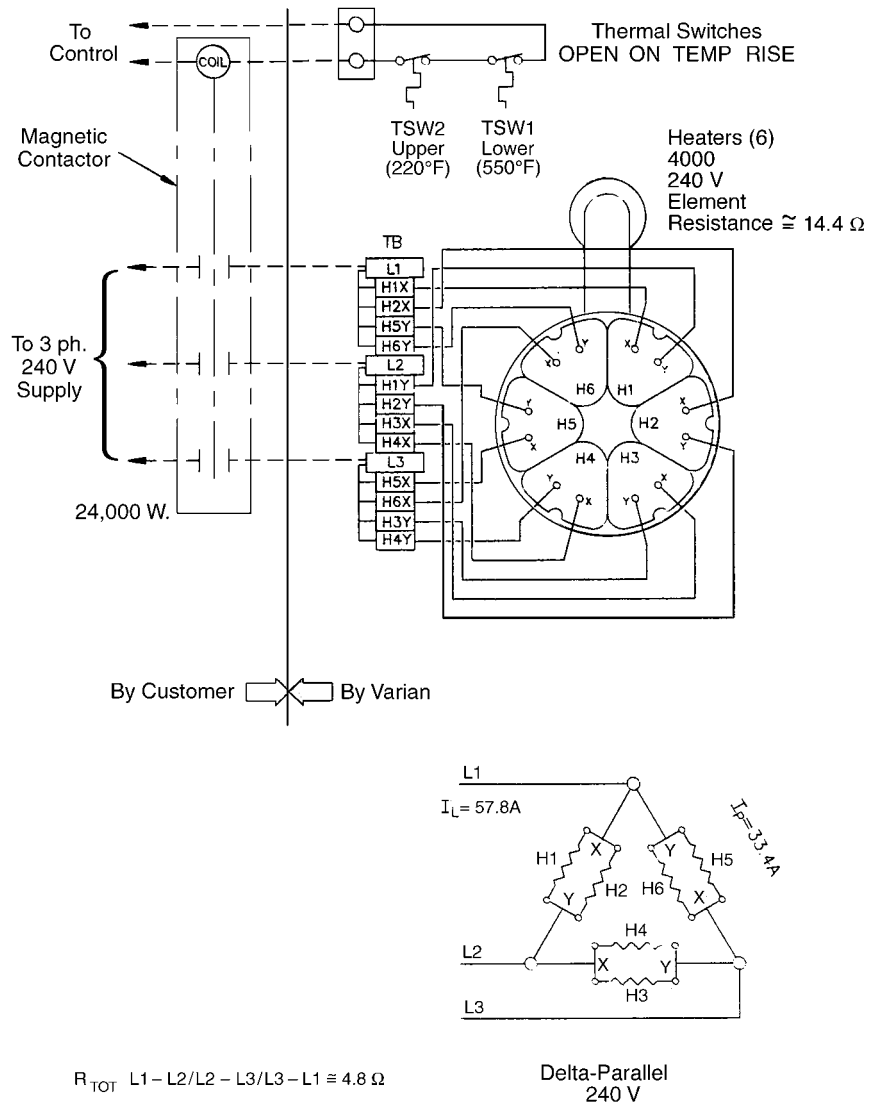


Figure 16 HS-32 240 V Wiring

High Throughput Diffusion Pumps

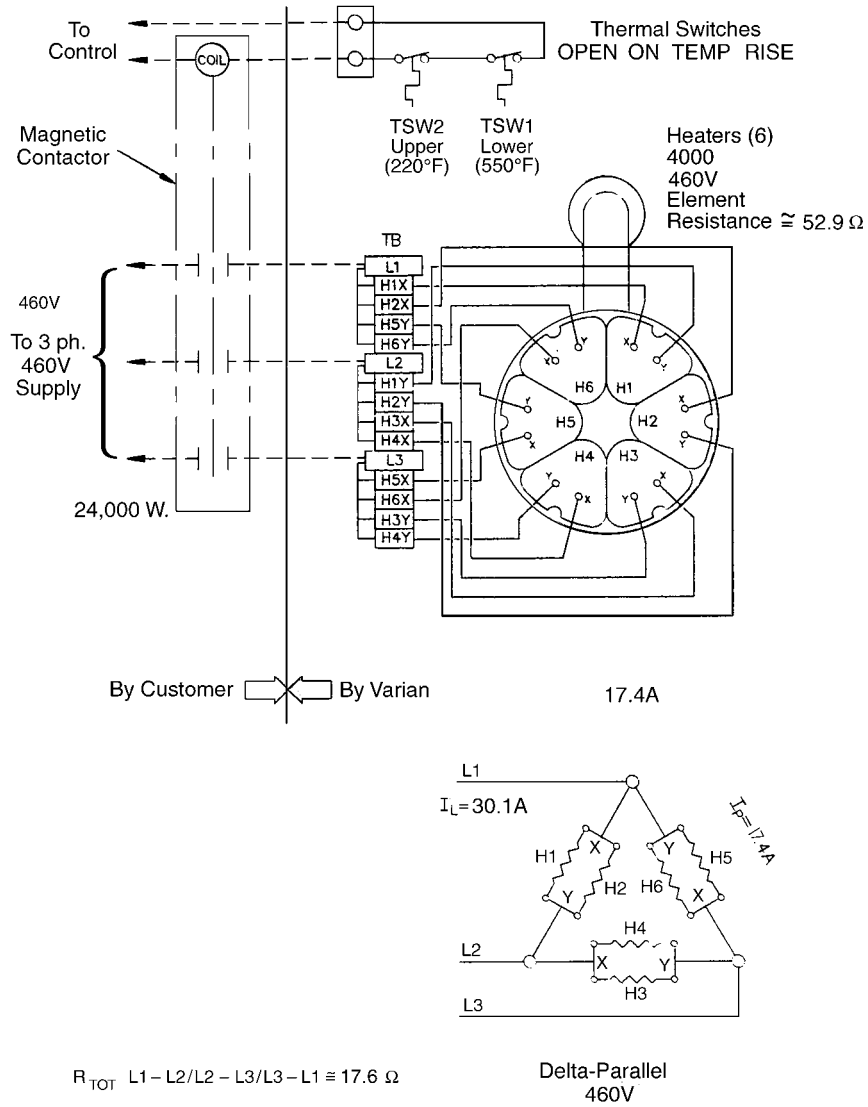


Figure 17 HS-32 460 V Wiring

High Throughput Diffusion Pumps

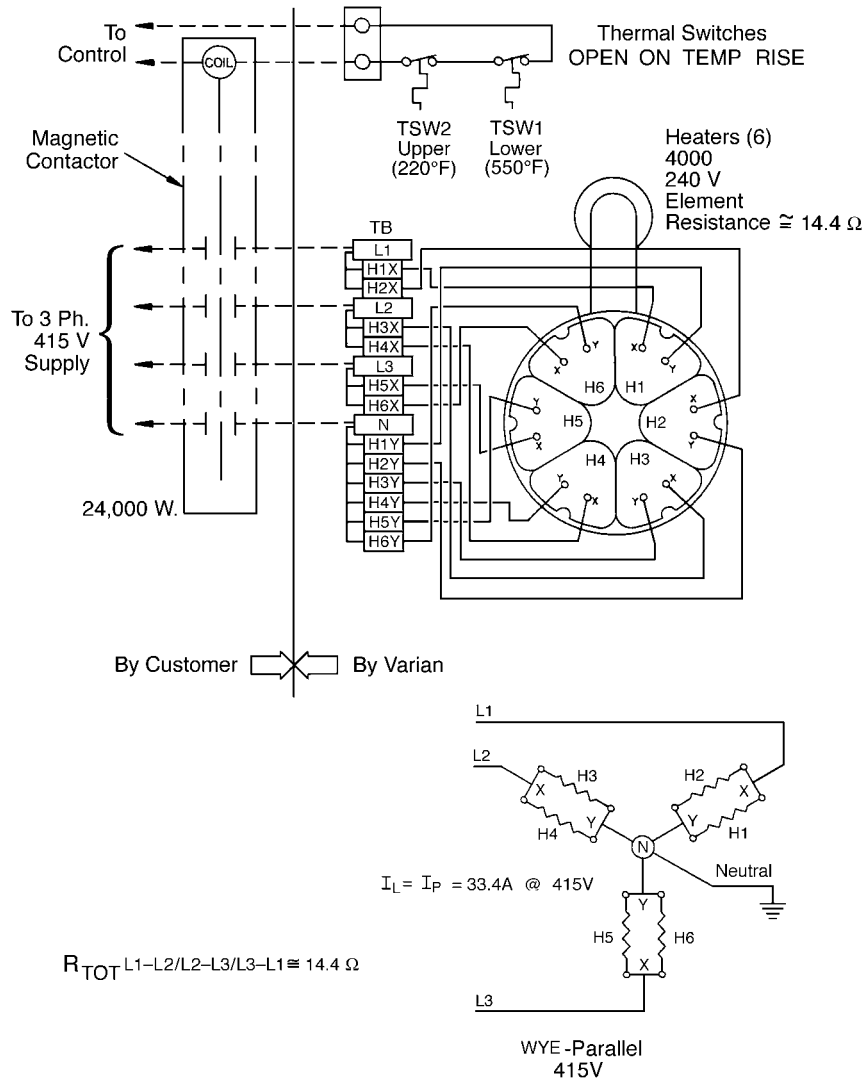


Figure 18 HS-32 415 V Wiring

High Throughput Diffusion Pumps

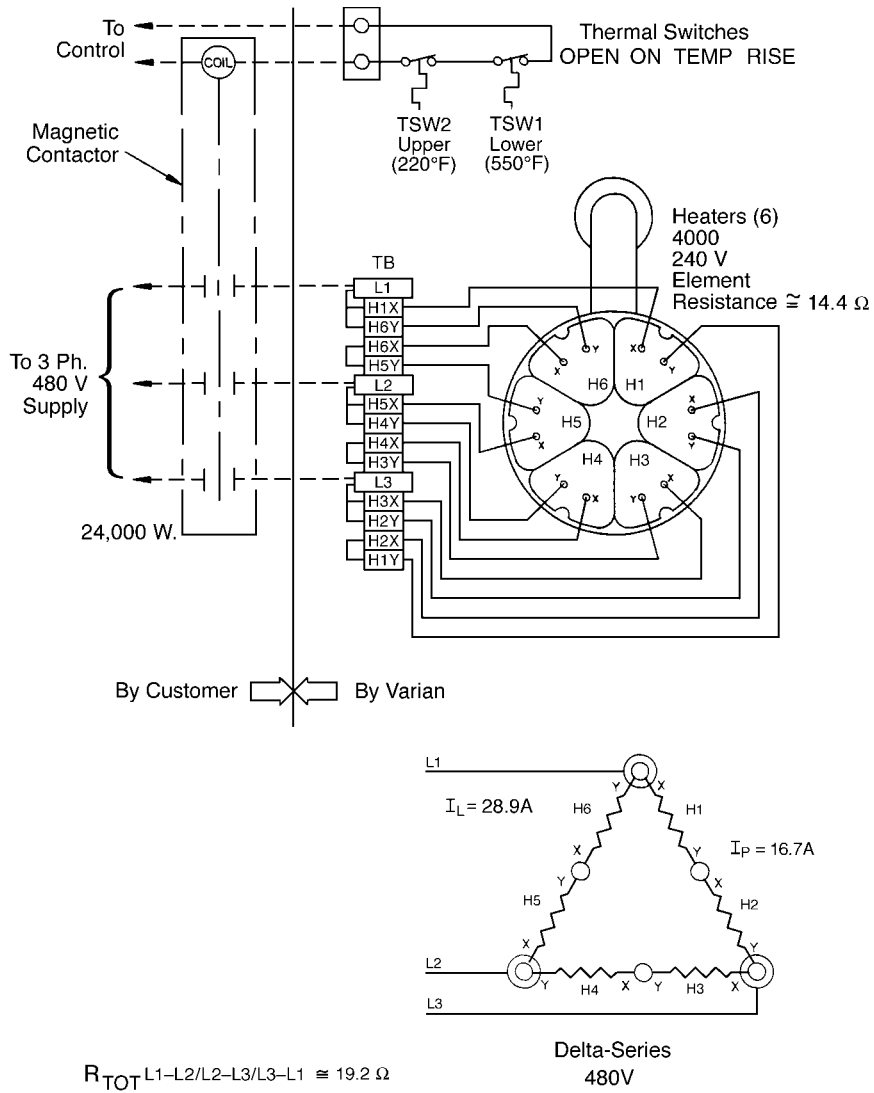


Figure 19 HS-32 480 V Wiring

High Throughput Diffusion Pumps

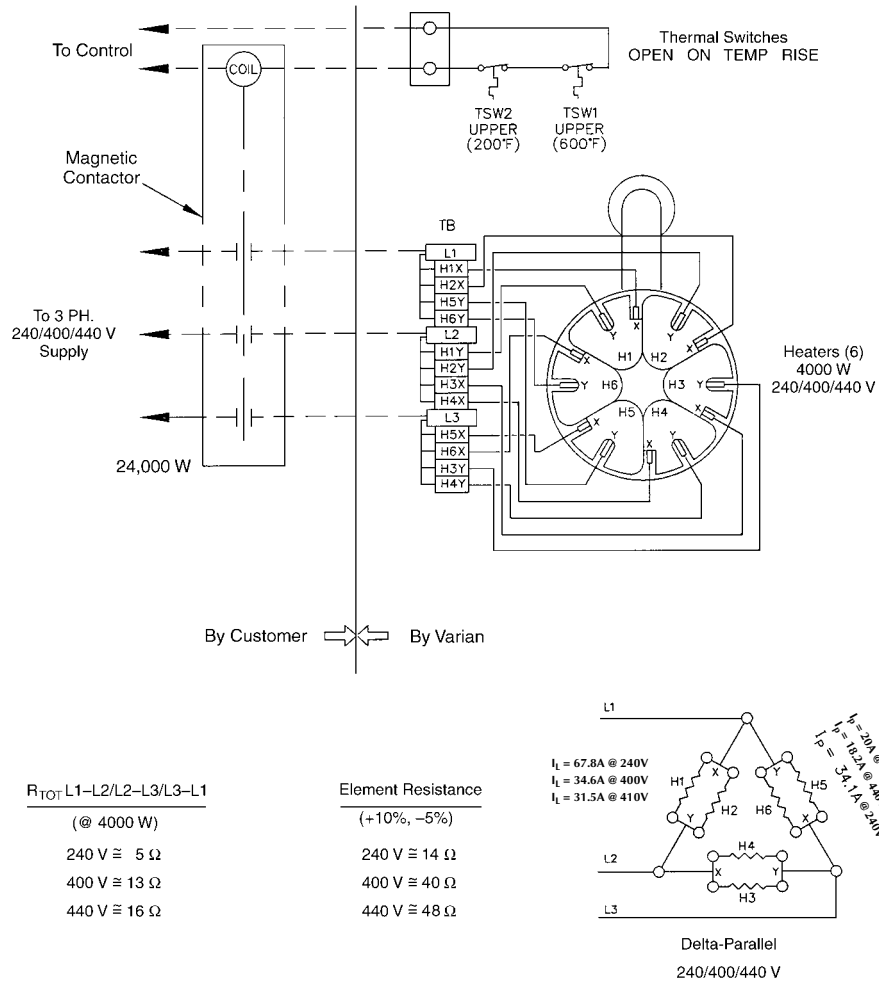


Figure 20 NHS-35 240/400/440 V Wiring

High Throughput Diffusion Pumps

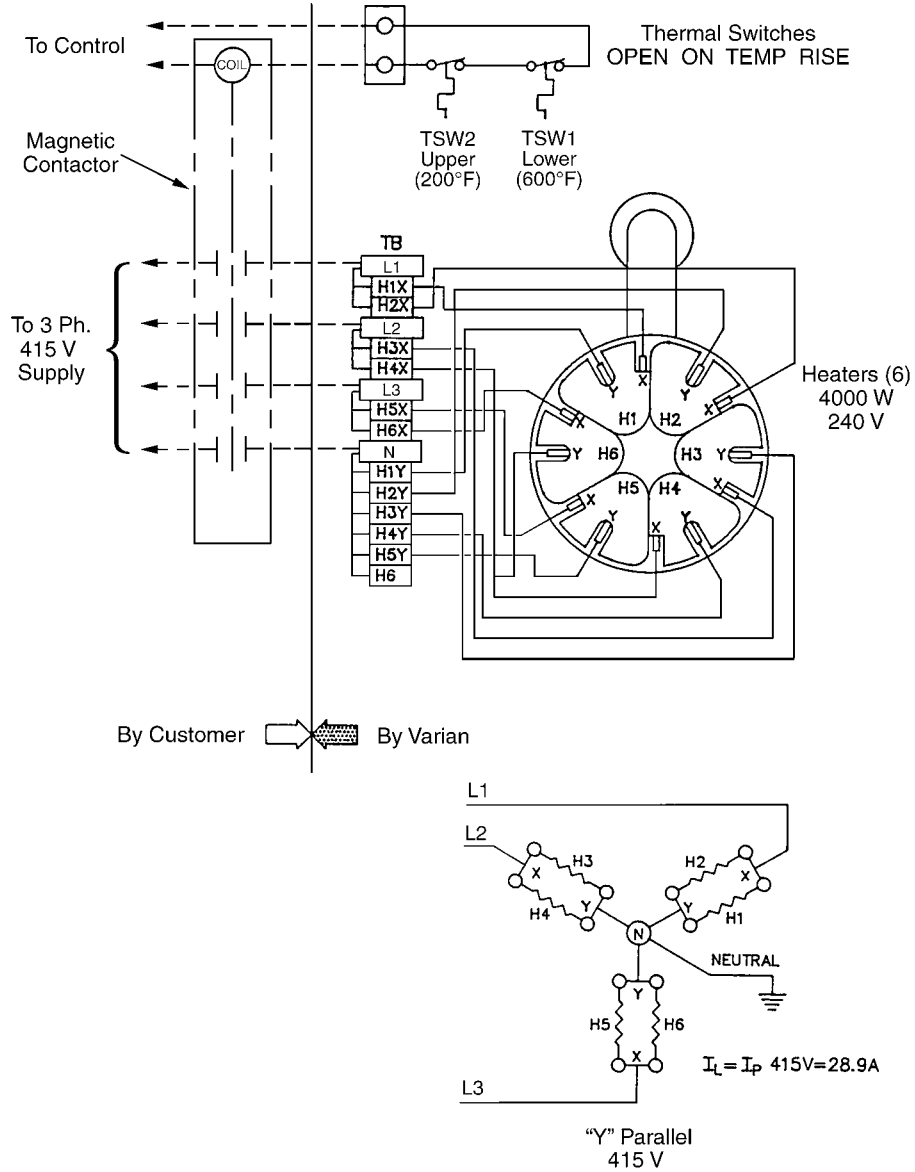


Figure 21 NHS-35 415 V Wiring

High Throughput Diffusion Pumps

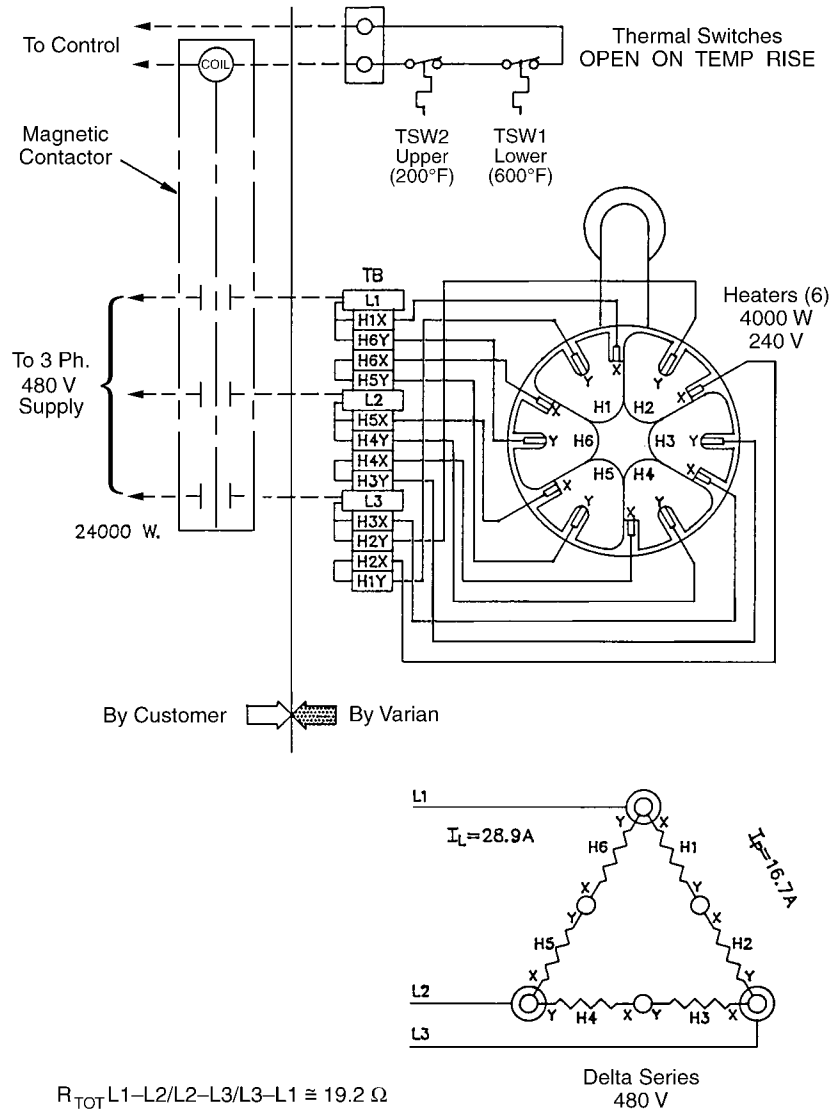


Figure 22 NHS-35 480 V Wiring

Initial Vacuum Test

Before charging the pump with fluid, carry out this initial vacuum test to establish the tightness of the system and its vacuum connections.

Pumps and their components are designed for vacuum service; they are not designed to be pressurized which could cause them to burst possibly expelling shrapnel at lethal velocities. Serious accidents have been caused by intentional pressurization of vacuum systems and their components.

WARNINGS



- ❑ Never pressurize any part of a vacuum system for test or any other purpose.
- ❑ Always provide pressure relief when designing diffusion pumps into systems and ensure that pressure relief motion is limited to safe envelopes.

To perform the initial vacuum test:

1. Confirm the vacuum ultimate pressure characteristics of the fore pump. This should closely approximate the value quoted in the manufacturer's data, if the mechanical pump is correctly installed, adjusted, and filled with clean fluid.
2. Measure pressure with a continuously indicating total pressure gauge, such as a capacitance manometer, or thermocouple gauge.
3. Connect the outlet (or foreline) of the diffusion pump to the inlet of the fore pump using vacuum-tight connections.
4. The procedure varies for valved and unvalved systems.
 - ❑ For valved system: Close the roughing valve and main isolation valve ahead of the diffusion pump.
 - ❑ For unvalved systems: Include the entire work chamber volume in the test.
5. Evacuate the system using only the fore pump. Let the pump reach an ultimate pressure in the system. This reading should approximate the value obtained in step 2 above (usually 10 to 50 microns, 0.013 mbar to 0.067 mbar).
6. If the pump does not reach this level, examine the system for leakage following standard procedures for leak testing. These procedures depend on the type of vacuum gauges and leak detection equipment available.

NOTE



Consult with your Vacuum Technologies representative for information on Vacuum Technologies's extensive line of helium leak detectors.

Adding or Changing Pump Fluid

WARNINGS



The risk of explosion on large vacuum diffusion pumps is increased by these factors:

- ❑ *Use of a hydrocarbon fluid as the pumping fluid.
Hydrocarbon fluid is more prone to explosion than synthetic silicone-based fluid. If a hydrocarbon fluid is being used, check the entire system under vacuum before operating the pump.*
- ❑ *Low fluid levels in the pump which can lead to overheating.
Low fluid levels develop because the charge gradually depletes during use. The pump, however, continues to operate normally and when the charge drops to 60% of initial level, the boiler temperature may begin to rise. If this takes place, the thermal switches open the heater circuits. For details, refer to “Overheating: Detection by Thermal Switches” on page 18.*
- ❑ *Overheated pump fluid that decomposes and becomes toxic.
The toxic fluid residue may be on the dipstick used to check fluid level, so care must always be taken to assure personnel do not contact or ingest the fluid.*
- ❑ *Admission of atmospheric air during pump operation.
Leakage of air into the system allows oxygen into the fluid vapor and increases the risk of explosion. If holding a vacuum is difficult, perform a leak test. Do not use the pump until the leak source is located and repaired.*

The recommended fluid charge for each pump is given in Table 4 on page 6.

Fluids must be stored in clean, tightly closed containers and should be clearly identified in accordance with their type. Do not mix pumping fluids of different types and origins. Generally, it is not a good idea to mix used and new fluid for a pump charge.

CAUTION



The use of Santovac[®] 5 Diffusion Pump Fluid is not recommended in these pumps, nor is the use of any hydrocarbon fluid.

High Throughput Diffusion Pumps

To add or change pump fluid:

1. Locate the fill and drain fittings in the appropriate outline drawing. Refer to Figure 6 on page 9 through Figure 9 on page 12. The fittings have special Viton[®] elastomer sealed plugs.
2. Assure that the power to the heaters is off.

CAUTION



Wait until the pump has cooled then vent it to the atmosphere.

3. Remove the drain plug and drain fluid into a suitable sized container.

NOTE



Dispose of fluids in accordance with all appropriate regulations.

4. Remove the plug from the filling port of the pump and pour the fluid in up to the FULL COLD level on the sight glass as shown in Figure 23. The fluid can also be poured in from the pump inlet or foreline.

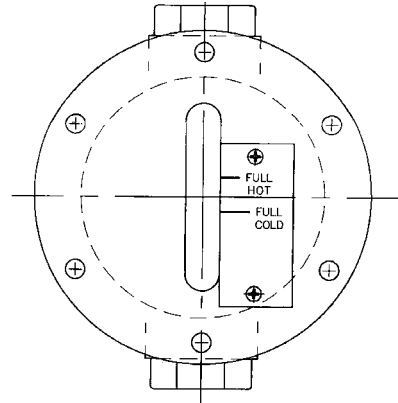


Figure 23 Sight Glass Assembly

5. Replace the fill plug with a new Viton gasket. Lubricate the O-ring with pump fluid, put the O-ring in place, and reassemble the system.
6. Tighten the fill plug using maximum torque of 75 inches-pounds.

Once the pump is running, check that the fluid level is at the FULL HOT level in the sight glass.

Operation

During initial installation, the newly installed pump fluid may be subjected to degassing. This may result in foreline pressure fluctuations that are considered normal.

WARNINGS



The following conditions increase the risk of explosion:

- Air leaks into the system*
- Roughing through a hot diffusion pump, which can cause hot hydrocarbon fluids to ignite or explode when exposed to air*
- Air release or the admission of air to a pump with a hot boiler (permitting a strong oxidizer to contact the hot pump fluid)*
- Pressure above 1 milliTorr (1.3×10^{-3} mbar)*
- Insufficient (or low level of) pump fluid*
- Operating a pump without circulating cool water to the main body cooling coils*
- Operating pump with water trapped in Quick Cool coil*
- Foreign matter in the pumping fluid, which changes its viscosity and obstructs flow passages*

CAUTIONS



- Do not turn on the heater without fluid in the pump. This may ruin the heaters and damage the pump.*
- Do not air-release the pump while the boiler is hot. Most diffusion pump fluids break down under these conditions.*
- Do not operate the pump heater unless cooling water is circulating. Doing so causes the pump and fluid to overheat.*
- Do not operate without a foreline baffle. This can cause a greater than normal fluid loss. *The HS-32 does not have a foreline baffle.*

Startup Procedure

To start the pump:

1. Evacuate the diffusion pump using a mechanical roughing pump to below 0.5 Torr (0.67 mbar). The diffusion pump will not function unless the discharge pressure is less than the tolerable forepressure.
2. Turn on the cooling water supply to the pump body and check that adequate flow is provided by examining the amount of water discharged at the visual drain points.

CAUTION



To prevent harmful collection of condensate on the boiler plate, heater, and heater terminals, do not operate the Quick Cool coil when the pump is cold or out of service.

3. Switch on the power to the diffusion pump heater.
4. Check inlet and forepressure performance by means of the system instrumentation.

Shutdown Procedure

WARNING



1. Releasing or admitting air to a pump with a hot boiler, especially when it is under vacuum, permits a strong oxidizer to contact the hot pump fluid and greatly increases the risk of an explosion.
2. Boiler temperatures reach 530° F (275 °C) which can cause serious burns. Always check that surfaces have cooled to near room temperature before touching them.

To shut down the pump:

1. Close the inlet valve on the system, if equipped.
2. Turn off the power to the heaters.
3. For pumps equipped with the optional Quick Cool Coil, admit water into the coil.
4. Continue to flow cooling water through the pump (and Quick Cool Coil, if equipped) for at least the time period listed under "Cooldown Time Without Quick Cool With Quick Cool" in Table 4 on page 7.
5. Once the pump is cooled, shut off the mechanical backing pump.
6. Air release the pump.
7. Continue cooling water flow until the pump is at room temperature, then shut off the water supply.

Maintenance

Perform these periodic checks to assure trouble-free operation. This maintenance prevents costly down-time and cleaning procedures. Maintain a day-to-day log of pump and system performance to identify marked variations that require corrective action.

Periodic Inspections

The maximum interval between inspection of the pump is established on the basis of experience.

WARNINGS



- ❑ *High voltages (up to 480 V) can kill. Always break the primary circuit to the power supply before starting work on the heater or its wiring.*
- ❑ *Avoid the possibility of serious burns by making sure that the pump is at room temperature before attempting service.*
- ❑ *Always wear appropriate gloves and clothing and use a self-contained breathing apparatus. Poisonous or corrosive compounds may be present when opening the fill or drain.*
- ❑ *Explosion risk is high if the fill or drain is opened when the pump is running or when it is hot.*

To perform general maintenance, do the following:

1. Check the condition and level of fluid when the pump is cold. Withdraw a sample through the drain and visually check the level of fluid through the sight glass. Slight discoloration of the fluid does not affect pump performance. Use new O-ring gaskets when replacing fill and drain plugs.

Loss of the fluid can be caused by:

- ❑ Admittance of excessive air or other gas to a hot pump
- ❑ Inadequate water cooling
- ❑ Continuous operation in the overload range as given in Table 4 on page 6
- ❑ Failure to reinsert the foreline baffle in the pump assembly

NOTE

The HS-32 does not have a foreline baffle.



2. When the pump is cold, check that the heaters are bolted snugly to the boiler plate and that all heater terminal connections are fastened tightly inside the junction box.
3. Check the total heater power input and balance of the load.
4. Ensure that cooling water flow is unobstructed and that the flow rate does not fall not below quantities specified in Table 4 on page 6.

Cleaning

Cleaning Safety

Cleaning a diffusion pump involves the use of acetone and alcohol, both of which are toxic and explosive. Take careful note of the following warnings before starting a cleaning process.

When heated, sprayed or exposed to high temperature equipment, these solvents become flammable and explosive, causing serious injury or death.

When heated or sprayed, acetone or alcohol also becomes 4 to 5 times heavier than air and will flow down, settling in tanks, pits, and low areas, thus displacing air which can kill by asphyxiation.

Acetone, alcohol, and other solvents are irritants, narcotics, depressants, and carcinogenic. Their inhalation and ingestion may produce serious effects. Prolonged or continued contact with the skin will result in absorption through the skin and moderate toxicity.

WARNINGS



- ❑ *Do not use near a high temperature source. Ventilate the working area with a blower and use in a large, well-ventilated room. The use of a self-contained breathing apparatus may also be necessary.*
- ❑ *Always ensure that cleaning operations are carried out in large, well-ventilated rooms. Wear eyeshields, gloves, and protective clothing.*

Complete cleaning of the pump may be required due to gradual deterioration of pump fluids. Removal of the pump from the system is then necessary.

To clean an installed pump:

1. Disconnect all water cooling lines and break the primary circuit supplying power to the pump heaters.
2. Unbolt the inlet and foreline connections and remove the pump from the system.
3. Drain the pump of all fluid.
4. Remove the cold cap as described in "Cold Cap" on page 38.
5. Remove the jet assembly as described for the specific pump model in "Jet Assemblies" on page 39.
6. Thoroughly clean the pump body interior using acetone followed by an isopropyl alcohol rinse and then dry the pump with clean, dry, oil-free compressed air.
7. Thoroughly clean the jet assembly using acetone. Wipe all surfaces with isopropyl alcohol, and dry with clean, dry, oil-free compressed air.
8. Reinstall the jet and cold cap in the pump body. Be sure that the ejector is properly aligned with the foreline.
9. Check the condition of the O-rings. Replace O-rings that show any sign of wear or compression.
10. Attach the pump in the system.

Disassembly and Reassembly Procedures

Cold Cap

To disassemble the cold cap, refer to Figure 24 and take the following steps.

NOTE



The halo baffle is disassembled in the same manner.

1. Remove the female coupling, nut, follower, and gasket located at the end of the cold cap water line on the outside of the pump.
2. Remove the cold cap securing screw which secures the cold cap to the jet assembly.
3. Lift out the cold cap.

To reassemble the cold cap:

1. Insert the end of the cold cap water line into the cold cap port opening at the side of the pump before setting the cold cap on top of the jet assembly. Be careful not to damage the sealing surfaces.
2. Replace the cold cap securing screw which secures the cold cap to the jet assembly. Do not overtighten the screw.
3. Replace the gasket, the follower, the nut, and the female coupling to the side of the pump.

NOTE



Supply water tubing must be connected to the cold cap coupling with FPT threads.

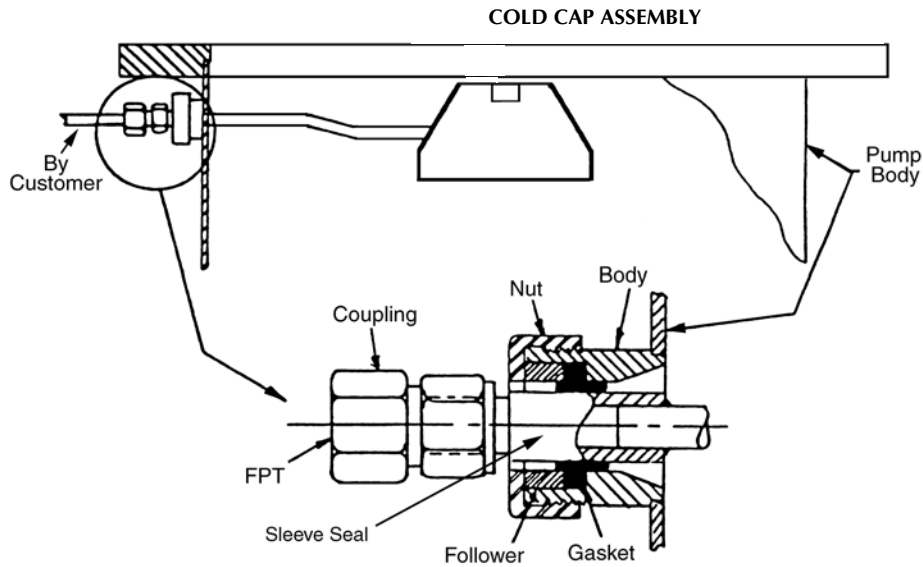


Figure 24 Cold Cap Assembly

High Throughput Diffusion Pumps

Jet Assemblies

The jet assemblies of each of the pumps are discussed and shown in the following subsections. Procedures and drawings are specific to each pump model.

HS-16 Jet Assembly

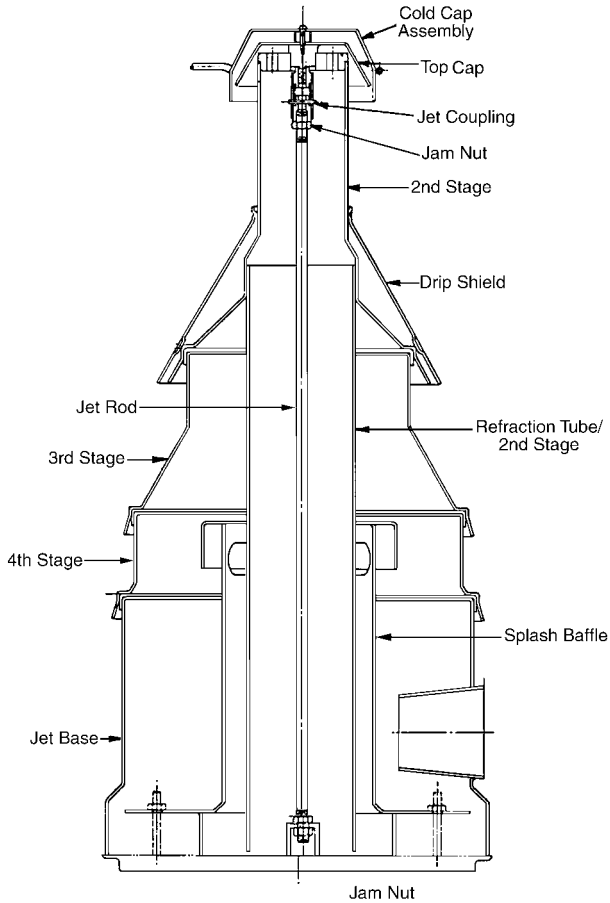


Figure 25 HS-16 Jet Assembly

To disassemble the jet assembly:

1. Remove the cold cap or halo baffle as described in “Cold Cap” on page 38.
2. Unscrew the top cap from its coupling and remove it.
3. Remove the top plug.
4. Remove the drip shield that sits loosely on the 2nd stage.
5. Lift and remove the entire 2nd stage.
6. Lift and individually remove the 3rd stage, the 4th stage, and the jet base.
7. Remove the two nuts securing the splash baffle, then lift and remove the splash baffle.
8. Remove the jam nut located at the center-bottom of the pump in order to remove the jet rod.

To assemble the jet assembly:

- Reverse the disassembly steps above.

NOTE



When the jet assembly is installed in the pump body, be sure that the slot in the jet base is engaged in the locating pin of the boiler. Unless this is done, the pump will not function properly.

NOTE



If the jet coupling loosens from the jet rod during disassembly, position it so that the top of the jet coupling is flush with the bottom orifice plug as can be seen in Figure 27.

High Throughput Diffusion Pumps

HS-20 Jet Assembly

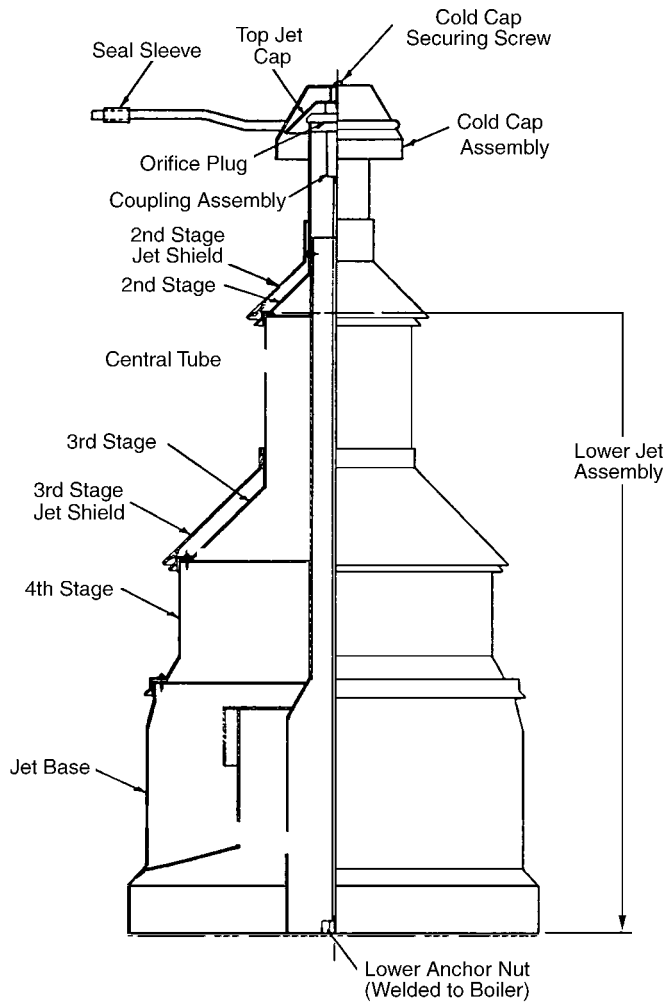


Figure 26 HS-20 Jet Assembly

To disassemble the jet assembly:

1. Remove the cold cap or halo baffle as described in "Cold Cap" on page 38.
2. Unscrew the jet cap from the coupling assembly.
3. Remove the orifice plug.
4. Withdraw the central tube complete with the second stage jet and jet shield.
5. Remove the lower jet assembly from the pump, which consists of the third stage jet, the jet shield, the fourth stage jet, and the jet base.
6. Remove the third stage shield from the lower jet assembly.

NOTE



Before removing the securing screws in the following step, scribe a reference mark at the interface to assure that original holes are mated when reassembled.

7. Remove the securing screws between the third and fourth stage jets. Carefully preserve the screws. Be sure that the jet spacers are not damaged in handling.
8. Remove the fourth stage jet from the jet base.
9. Clean all parts thoroughly.

High Throughput Diffusion Pumps

To reassemble the jet assembly:

1. Replace the fourth stage jet on the jet base.
2. Replace and tighten the securing screws between the fourth stage and the jet base uniformly and in a cyclical pattern.

NOTE

Jet spacings are preset at the factory and controlled by the spacers secured to the respective stages.

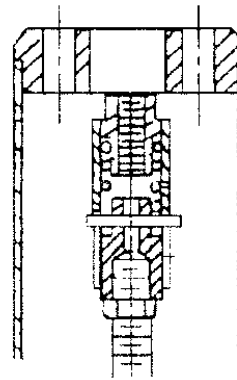
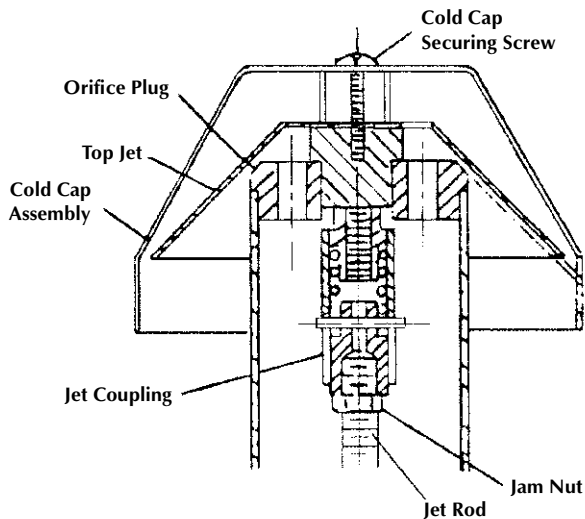


3. Replace the third stage jet on the fourth stage.
4. Replace and tighten the securing screws between the third stage and fourth stage uniformly and in a cyclical pattern.

5. Replace the third stage jet shield.
6. Install the lower jet assembly in the pump.
7. Check that the lower jet assembly is firmly seated on the pump with the ejector correctly positioned. For proper alignment, a pin is provided in the base of the pump; the large slot in the jet base must register on this pin.
8. Follow steps 1 through 5 in reverse order.

NOTE

If the jet coupling loosens from the jet rod during disassembly, position it so that the top of the jet coupling is flush with the bottom orifice plug (Figure 27).



Detail A
Location of Jet Coupling
prior to assembling Jet Cap.

Figure 27 Jet Coupling Detail

High Throughput Diffusion Pumps

HS-32 Jet Assembly

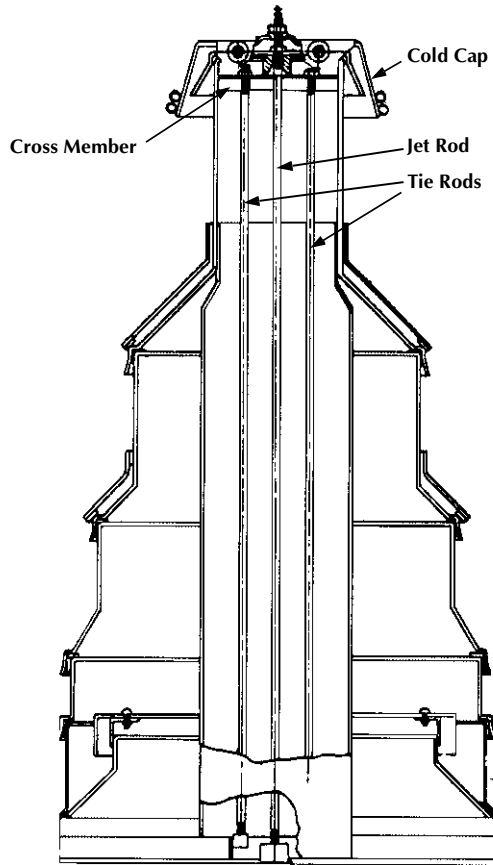


Figure 28 HS-32 Jet Assembly

To disassemble the jet:

1. Unscrew and remove the hex nut holding the cold cap in place. Note its orientation prior to removal
2. Remove the cold cap (or halo baffle) as described in "Cold Cap" on page 38.
3. Remove the nut, washer, and the top jet cap from the center jet rod.
4. Using the now-exposed cross member and the appropriate lifting equipment, lift the entire jet assembly out of the pump body, leaving the jet rod in place.
5. Remove the second stage jet shield.
6. Remove the two nuts on the cross member and lift out the second stage and fractionating tub, leaving the two rods in place.
7. Unscrew and remove the two tie rods.
8. Disassemble the remaining jet stages.

NOTE



Do not remove the three screws holding the fractionating tube to the top stage.

High Throughput Diffusion Pumps

To reassemble the jet:

1. If the center jet rod was removed or loosened during disassembly, thread the rod back into the boilerplate. The top of the rod should be roughly 1/16" to 1/8" below the top surface of the inlet flange (inlet plane of the pump). Once properly located, use the nut near the boilerplate to lock the rod in place.
2. Reassemble the lower stages by stacking them (outside the pump body).
3. Lower the second stage and fractionating tube into the lower jet assembly, aligning the two slots on the tube with the frame of the jet base. Ensure that the slots are engaged by attempting to rotate it.
4. Install the second stage jet shield.
5. Install the tie rods through the two holes in the cross member and thread them into the frame on the jet base.
6. Thread the two nuts on the tie rods. The height of the tie rods should be adjusted as needed by threading them into the frame of the jet base such that the rods extend above the nuts by roughly 1/8".

CAUTION



Do not over tighten the nuts on the tie rods. Doing so will distort the cross member. The rods are meant to hold the assembly together during installation in the pump.

7. Using the cross member and the appropriate lifting equipment, lower the entire jet assembly into the pump body, over the center jet rod.

CAUTION



If the pump has been equipped with a thermowell near the bottom of the pump body, there is a corresponding slot in the jet base for clearance around the thermowell. Ensure that the slot engages the thermowell to avoid damage to the thermowell and jet.

8. Reverse steps 1 through 3 above to reassemble the upper jet components.

NOTE



The hex nut is installed such that the small diameter acts to center the cold cap or halo baffle. Ensure that the hex nut is not installed upside down.

High Throughput Diffusion Pumps

NHS-35 Jet Assembly

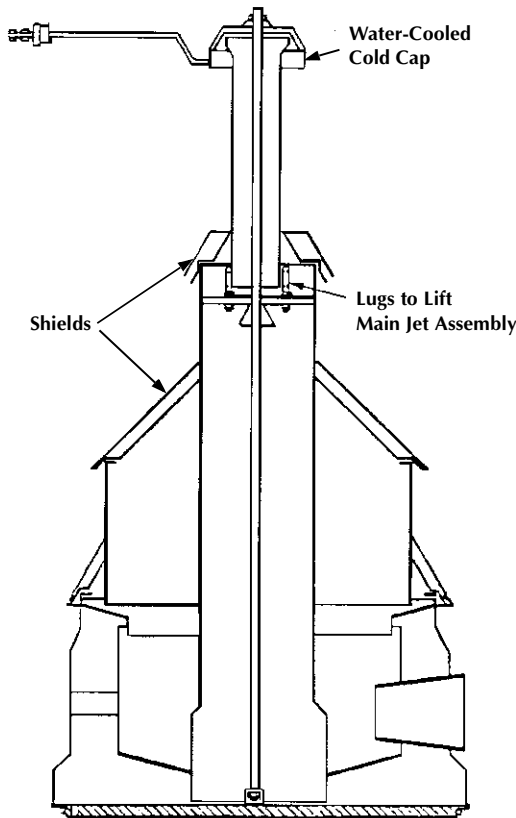


Figure 29 NHS-35 Jet Assembly

To disassemble the jet:

1. Unscrew and remove the hex nut holding the cold cap in place. Note its orientation prior to removal
2. Remove the cold cap (or halo baffle) as described in "Cold Cap" on page 38.
3. Unscrew the top jet cap and remove.
4. Remove the spacer and top jet orifice plug.
5. Lift the second stage and jet shield over the center threaded jet rod.
6. Using the two eyebolts now accessible and appropriate lifting equipment, lift the entire lower jet assembly out of the pump body, leaving the jet rod in place.
7. Remove the third stage jet shield.
8. Remove the securing nuts and lift the third stage and fractionating tube off the fourth stage.
9. Remove the fourth state jet shield.
10. Remove the securing nuts and separate the fourth stage from the jet base.
11. Clean and service as needed.

To reassemble the jet:

1. If the center jet rod was removed or loosened during disassembly, thread the rod back into the boilerplate. The top of the rod should be roughly 1/16" to 1/8" below the top surface of the inlet flange (inlet plane of the pump). Once properly located, use the nut near the boilerplate to lock the rod in place.
2. Reverse steps 7 through 10 above to reassemble the lower jet assembly.
3. Using the two eyebolts and the appropriate lifting equipment, lower the lower jet assembly into the pump body over the jet rod. The ejector should be aligned directly across from the foreline. A locating slot on the jet base engages a block in the pump body to ensure the ejector is properly aligned with the foreline.

CAUTION



The jet will not seat properly and the pump will not function unless the slot is engaged on the locator block. Check the engagement by attempting to rotate the jet once in place.

4. Reverse steps 1 through 5 above to reassemble the upper jet components.

NOTE



The top jet orifice plug must be seated in the tube with the machined relief down into the tube. Ensure that the plug is not installed upside down.

NOTE



The hex nut is installed such that the small diameter acts to center the cold cap or halo baffle. Ensure that the hex nut is not installed upside down.

Heater Replacement Procedure

Figure 30 shows the components of the heater element assembly. The heater replacement procedure is the same for all large diffusion pumps*.

NOTE



During heater replacement, the crush plate must be replaced if the heaters are removed for inspection or maintenance.*

** The NHS-35 does not use a crush plate. Additional studs are used to assure adequate contact between the heater and the boiler plate.*

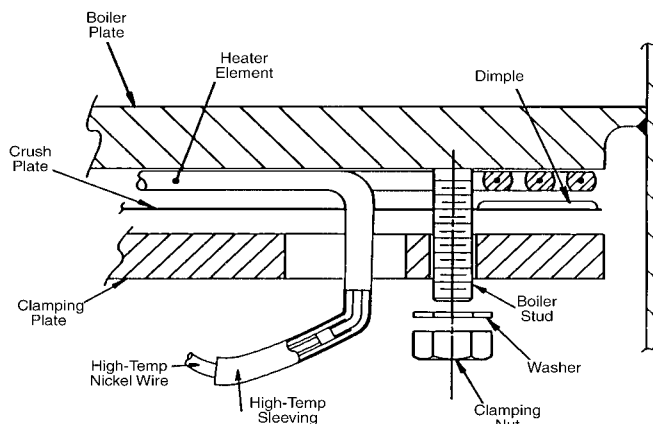


Figure 30 Heater Element Assembly

WARNING



High voltage (up to 480 V) can kill. Always break the primary circuit to the power supply before starting to work on the heater or its wiring.

CAUTION



Poor clamping resulting in inadequate thermal contact may result in reduced heater life and poor pump performance.

Tighten nuts finger-tight on clamping plate, then gradually and evenly tighten them to 250 inches-pounds of torque.

To replace a heater:

1. Use an ohmmeter at the electrical box to determine which heater element has failed.
2. Disconnect its leads from the terminal strip.
3. Pull the leads out of the terminal box and then out of the elbow cover plate.
4. Remove the heater cover from the bottom of the diffusion pump. Move the insulation to expose the faulty heaters.
5. Remove the nuts holding down the clamping plate.
6. Lower the entire heating unit (heater element, clamping plate and crush plate (except for the NHS-35 which does not have a crush plate) until it is off the mounting studs.

Installing the new heater:

1. Apply an anti-seize compound such as Loctite C5-A or FEL-PRO lubricant to the studs. Common mild of magnesia also can be used as a lubricant.
2. Assemble the new unit consisting of the heater element, clamping plate, and crush plate (except for the NHS-35).
3. Support the heating unit by the clamping plate, line up the holes with the boiler studs, and push the unit up against the boiler plate. Use two nuts finger-tight to hold it in place.
4. Screw on the remaining nut(s) finger-tight, then tighten all nuts evenly to 250 inches-pounds of torque.
5. Label the heater leads according to the schematic diagram.
6. Run the wires around the periphery of the pump, under the wire retaining clips, into the conduit, and up into the junction box.
7. Connect the leads to the terminal strip then replace the elbow cover plate.
8. Replace the insulation and heater cover.

CAUTION



Heater wiring and terminal lugs must not use copper or copper-plated wire which could oxidize rapidly and fail due to the high temperatures near the heaters. Use #10 strand nickel wire with high temperature insulation.

Troubleshooting

Leakage

If leakage is the suspected cause of poor system performance, first check the following items:

- ❑ Inlet and foreline connections
- ❑ Drain and fill plugs
- ❑ Other compression fittings, such as high-vacuum gauges in the system
- ❑ Threaded connections, such as a foreline gauge

Before proceeding with a program of step-by-step troubleshooting, check the performance and accuracy of the vacuum gauges used on the system.

Outgassing

High-vacuum systems, even without external leakage, can have high gas loads due to outgassing from internal surfaces or processes. The pressure in the system is a result of gas load divided by pumping speed ($p = Q/S$). If the gas load Q exceeds the maximum throughput capability of the diffusion pump, the diffusion pump will not function and the pumping action will essentially be due to the mechanical backing pump.

To estimate the gas load, isolate the system from all pumps after evacuation and measure the rate of pressure increase.

The gas load can be estimated from the following relationship:

$$Q = \frac{V \times \Delta P}{\Delta t}$$

where V is the isolated volume, ΔP is the pressure rise, and Δt is the time period of measurement.

High Throughput Diffusion Pumps

Poor Pump or System Performance

Table 15 lists the faults, the probable causes and corrective actions to take if you have a problem with a large diffusion pump.

Table 15 Troubleshooting Guide

Fault	Probable Cause	Corrective Action
Poor system pressure	Leaks in system, virtual or real	Locate and repair
	High process gas load	Measure gas load, eliminate cause
	System dirty	Clean system to reduce outgassing
Poor ultimate pressure	Contaminated pump fluid	Examine and clean pump; replace fluid
	Low heat input	Check voltage. Check for continuity, burned-out element, poor thermal contact
	Inadequate cooling water flow	Check water pressure. Check tubing for obstructions and backpressure
	Cooling water is too cold	Check temperature
	Cooling water flow is too high	Adjust water flow
	High forepressure	Check for leak in foreline, poor mechanical pump performance, breakdown of mechanical pump fluid
	Water in Quick Cool coil	Check and remove cause
Slow pumpdown	Low heat input	Check heaters
	Low fluid level	Add fluid
	Malfunctioning pump assembly	Check and repair or replace
	Improperly located jets	
	Damaged jet system	
Inlet pressure surges	Incorrect heater input	Check and correct
	Fluid outgassing	Condition fluid by operating the pump for a few hours
	Leak in system ahead of pump inlet	Check and correct
High chamber contamination of the pump fluid	Forepressure too high	Check for leak in foreline, poor mechanical pump performance, breakdown of pump fluid, and incorrect valve operation
	Prolonged operation in overload range	Adhere to operating procedures
	Cutting over from the backing pump too early in the pump down cycle	Cut over at a lower chamber pressure
	Improper system operation and air release procedures	Adhere to operating procedures
Pump will not start	Safety circuits or protective devices prevent contactor from staying closed	Check utilities, flow devices switches, interlocks. Check thermostat operation

Replacement Parts

Table 16 HS-16 Replacement Parts

Part Number	Description
79299301	Cold cap assembly, includes No.10-32 SST Rd Hd screw and No. 10-32 SST hex nut)
L8839301	Cold cap gasket set
L8840301	Cold cap nut and follower set
83612401	Jet assembly
80798301	Foreline baffle assembly
77261001	Fill and drain plug
L8841301	Thermoswitch kit
647316025	Heater element with leads (2700 W, 200 V)
647316027	Heater element with leads (3200 W, 200 V)
647316037	Heater element with leads (2700 W, 400 V)
647316038	Heater element with leads (3200 W, 400 V)
647316039	Heater element with leads (2700 W, 430 V)
647316040	Heater element with leads (3200 W, 430 V)
647316041	Heater element with leads (2700 W, 440 V)
647316042	Heater element with leads (3200 W, 440 V)
647316020	Heater element with leads (2700 W, 240 or 415 V)
647316030	Heater element with leads (2700 W, 480 V)
647316023	Heater element with leads (3200 W, 240 or 415 V)
647316033	Heater element with leads (3200 W, 480 V)
K4919001	Heater crush plate, required with heater replacement
K4917001	Heater clamping plate
79309001	Heater insulating blanket
79308001	Heater cover plate
K0377164	O-ring kit; includes: <ul style="list-style-type: none"> ❑ 1 Butyl ASA inlet O-ring (48214001) ❑ 1 Buna-N ASA foreline O-ring (660890348) ❑ 8 Viton fill and drain O-rings (660892213) ❑ 1 Sight glass O-ring (660892232) ❑ 1 Graphite sight glass gasket (K8478001)
695472008	DC-702 diffusion pump fluid, one-gallon
695474008	DC-704 diffusion pump fluid, one-gallon
695475008	DC-705 diffusion pump fluid, one-gallon
Commercial Item	Cold cap fitting, Imperial flex fitting #66-FL, 1/2" OD tube x 3/8" FPT
K8475001	Sight glass
L6367301	Jet coupling
656118114	Nickel wire No. 14 AWG
648056329	Nickel lug for No. 14 AWG

High Throughput Diffusion Pumps

Table 17 HS-20 Replacement Parts

Part Number	Description
84358301	Cold cap assembly, includes No.10-32 SST Rd Hd screw and No. 10-32 hex nut SST
660811494	Cold cap gasket
F2622001	Cold cap follower, brass
75786001	Cold cap nut
622445026	Cold cap female coupling, 1/2" OD tube x 3/8" FPT, Imperial Flexfitting No. 66-FL
L6367301	Sprint coupling
84350301	Jet coupling assembly
84889301	Foreline baffle assembly
F6097301	Sight glass service kit, includes glass tube, O-rings, and fittings Valves not included for pumps built prior to October 1994
F1755301	Sight glass assembly, includes seal valve, glass tube, removable bracket, cover for sight glass assembly, and fittings for pumps built prior to October 1994
77261001	Threaded plug, fill and drain
K9050001	Upper thermal switch, Temperature setting: 185 °F
K9050002	Lower thermal switch, Temperature setting: 390 °F
656118114	Nickel wire, No. 14 AWG
648056329	Nickel lug for No. 14 AWG
647320025	Heater element with leads (2,000 W, 200 V)
647320020	Heater element with leads (2,000 W, 240 V or 415 V)
647320035	Heater element with leads (2,000 W, 400 V)
647320040	Heater element with leads (2,000 W, 430 V)
647320045	Heater element with leads (2,000 W, 440 V)
647320030	Heater element with leads (2,000 W, 480 V)
K7108001	Crush plate, replace with each heater
K7107001	Clamping plate
L6514001	Insulation for heaters, Cerablanket 0.50" thick
84497001	Heater cover plate
L9223001	Sight glass (for pumps built after October 1994)
K0377165	O-ring kit; includes: <ul style="list-style-type: none"> ❑ 1 butyl O-ring for ASA inlet flange (84349002) ❑ 1 butyl foreline flange O-ring (660893432) ❑ 8 Viton fill and drain O-rings (660892213) ❑ 1 Sight glass O-ring (660892240) ❑ 1 Graphite sight glass gasket (L9228001)
695472008	DC-702 diffusion pump fluid, one gallon
695474008	DC-704 diffusion pump fluid, one gallon
695475008	DC-705 diffusion pump fluid, one gallon

High Throughput Diffusion Pumps

Table 18 HS-32 Replacement Parts

Part Number	Description
77252801	Cold cap assembly, includes No.10-32 SST Rd Hd screw and No. 10-32 hex nut SST
660811494	Cold cap grommet
F2622001	Cold cap follower (brass)
75786001	Cold cap nut
622445026	Cold cap female coupling, 1/2" OD tube x 3/8" FPT, Imperial Flexfitting No. 66-FL
76511301	Jet assembly, includes cold cap assembly
F6097301	Sight glass service kit (includes glass tube, O-rings, and fittings; valves not included)
F1755301	Sight glass assembly (includes seal valve, glass tube, removable bracket, cover for sight glass assembly, and fittings)
84347003	Threaded plug, fill and drain
K9050003	Upper thermal switch, Temperature setting: 220 °F
K9050004	Lower thermal switch, Temperature setting: 550 °F
656118114	Nickel wire (by the foot), No. 14 AWG
648056329	Nickel lug for No. 14 AWG
F6253001	Thermal switch block, brass
647332010	Heater element with leads, No. 10 AWG (4000 W, 240 V, 415 V, 480 V)
647332020	Heater element with leads, No. 10 AWG (4000 W, 200 V)
K7246001	Heater crush plate, replace with each new heater
K7247001	Clamping plate
75792001	Insulation for heaters – Cerablanket 0.50" thick
75791001	Heater cover
670099910	Insulation for conduit
L9223001	Sight glass (for pumps built after October 1995)
K0377167	O-ring kit; includes: <ul style="list-style-type: none"> ❑ 1 butyl O-ring for ASA inlet flange (45390001) ❑ 1 butyl O-ring foreline flange (2-443) ❑ 8 Viton fill and drain O-rings (2-213) ❑ 1 Sight glass O-ring (2-240) ❑ 1 Graphite sight glass O-ring (L9228001) ❑ 4 Viton O-rings (2-221)
695472008	DC-702 diffusion pump fluid, one-gallon
695474008	DC-704 diffusion pump fluid, one-gallon
695475008	DC-705 diffusion pump fluid, one-gallon

High Throughput Diffusion Pumps

Table 19 NHS-35 Replacement Parts

Part Number	Description
81437301	Cold cap assembly (includes No.10-32 SST Rd Hd screw and No. 10-32 hex nut) SST
660811494	Cold cap gasket
F2622001	Cold cap follower (brass)
75786001	Cold cap nut
622445026	Cold cap female coupling, 1/2" OD tube x 3/8" FPT, Imperial Flexfitting No. 66-FL
F1971302	Jet assembly
F1744301	Foreline baffle assembly
F6097301	Sight glass service kit (includes glass tube, O-rings, and fittings; valves not included) For pumps built prior to October 1995)
77261001	Threaded plug, fill and drain
K9050005	Upper thermal switch, Temperature setting: 200 °F
K9050006	Lower thermal switch, Temperature setting: 600 °F
647335010	Heater element with leads (4000 W, 240 V, 415 V, 480 V)
L6383010	Heater element with leads (4000 W, 400 V)
L6383011	Heater element with leads (4000 W, 440 V)
F1749001	Clamping plate (no crushplate in NHS-35)
L6514001	Insulation for heaters – Cerablanket 0.50" thick
L9223001	Sight glass (for pumps built after October 1995)
K0377169	O-ring kit; includes: 1 Butyl O-ring for ASA inlet flange (78536001) <ul style="list-style-type: none"> ❑ 1 Butyl O-ring foreline flange (2-267) ❑ 8 Viton O-rings fill and drain (2-213) ❑ 1 Sight glass O-ring (2-240) ❑ 1 Graphite sight glass gasket (L9228001) ❑ 4 Viton O-rings (2-221)
695472008	DC-702 diffusion pump fluid, one-gallon
695474008	DC-704 diffusion pump fluid, one-gallon
695475008	DC-705 diffusion pump fluid, one-gallon
78536002	O-ring for ISO inlet flange

This page intentionally left blank.

Sales and Service Offices

Canada

Central coordination through:

Varian, Inc.
121 Hartwell Avenue
Lexington, MA 02421
USA
Tel: (781) 861 7200
Fax: (781) 860 5437
Toll Free: (800) 882 7426

China

Varian Technologies - Beijing

Room 1201, Jinyu Mansion
No. 129A, Xuanwumen Xidajie
Xicheng District
Beijing 1000031
P.R. China
Tel: (86) 10 6608 1031
Fax: (86) 10 6608 1541

France and Benelux

Varian s.a.

7 avenue des Tropiques
Z.A. de Courtaboeuf – B.P. 12
Les Ulis cedex (Orsay) 91941
France
Tel: (33) 1 69 86 38 13
Fax: (33) 1 69 28 23 08

Germany and Austria

Varian Deutschland GmbH

Alsfelder Strasse 6
Postfach 11 14 35
64289 Darmstadt
Germany
Tel: (49) 6151 703 353
Fax: (49) 6151 703 302

India

Varian India PVT LTD

101-108, 1st Floor
1010 Competent House
7, Nangal Raya Business Centre
New Delhi 110 046
India
Tel: (91) 11 5548444
Fax: (91) 11 5548445

Italy

Varian, Inc.

Via F.lli Varian, 54
10040 Leini, (Torino)
Italy
Tel (39) 011 997 9 111
Fax (39) 011 997 9 350

Japan

Varian, Inc.

Sumitomo Shibaura Building, 8th Floor
4-16-36 Shibaura
Minato-ku, Tokyo 108
Japan
Tel: (81) 3 5232 1253
Fax: (81) 3 5232 1263

Korea

Varian Technologies Korea, Ltd.

Shinsa 2nd Building 2F
966-5 Daechi-dong
Kangnam-gu, Seoul
Korea 135-280
Tel: (82) 2 3452 2452
Fax: (82) 2 3452 2451

Mexico

Varian S.A.

Concepcion Beistegui No 109
Col Del Valle
C.P. 03100
Mexico, D.F.
Tel: (52) 5 523 9465
Fax: (52) 5 523 9472

Russia

Central coordination through:

Varian, Inc.
via F.lli Varian 54
10040 Leini, (Torino)
Italy
Tel: (39) 011 997 9 252
Fax: (39) 011 997 9 316

Taiwan

Varian Technologies Asia Ltd.

18F-13 No.79, Hsin Tai Wu Road
Sec. 1, Hsi Chih, Taipei Hsien
Taiwan, R.O.C.
Tel: (886) 2 2698 9555
Fax: (886) 2 2698 9678

UK and Ireland

Varian Ltd.

28 Manor Road
Walton-On-Thames
Surrey KT 12 2QF
England
Tel: (44) 1932 89 8000
Fax: (44) 1932 22 8769

United States

Varian, Inc.

121 Hartwell Avenue
Lexington, MA 02421
USA
Tel: (781) 861 7200
Fax: (781) 860 5437

Other Countries

Varian, Inc.

Via F.lli Varian 54
10040 Leini, (Torino)
Italy
Tel: (39) 011 997 9 111
Fax: (39) 011 997 9 350

Customer Support and Service:

North America

Tel: 1 (800) 882-7426 (toll-free)
vtl.technical.support@varianinc.com

Europe

Tel: 00 (800) 234 234 00 (toll-free)
vtl.technical.support@varianinc.com

Japan

Tel: (81) 3 5232 1253 (dedicated line)
vtj.technical.support@varianinc.com

Korea

Tel (82) 2 3452 2452 (dedicated line)
vtk.technical.support@varianinc.com

Taiwan

Tel: 0 (800) 051 342 (toll-free)
vtw.technical.support@varianinc.com

Worldwide Web Site, Catalog and On-line Orders:

www.varianinc.com

Representatives in most countries



VARIAN

